



Air Conditioning & Heating



PRODUCT SPECIFICATIONS



GSH14

14 SEER

1½ TO 5 TON

SPLIT SYSTEM HEAT PUMP

COOLING AND HEATING CAPACITIES

18,000 BTU/H TO 55,000 BTU/H



The Goodman® GSH14 14 SEER Heat Pump features the high-efficiency Copeland® scroll compressor that provides improved temperature and humidity control throughout the home. The GSH14 has an attractive louvered metal guard to protect the coil from damage and strengthen the unit, while the base pan elevates the unit above the slab for excellent water drainage. A powder-paint finish provides premium durability and improved UV protection.

Standard Features

- High-efficiency scroll compressor
- R-22 refrigerant-charged for 15' of refrigerant lines
- 850-RPM condenser fan motor
- Liquid refrigerant return protection
- Factory-installed bi-flow liquid-line filter dryer
- Copper tube/enhanced aluminum fin coil
- Low-pressure switch
- Reliable, time-initiated, temperature-terminated defrost control
- Sweat connection service valves with easy access to gauge ports
- ARI Certified; ETL Listed

Cabinet Features

- Unique Goodman® sound control top design
- Steel louver coil guard
- Heavy-gauge galvanized-steel cabinet
- Attractive Architectural Gray powder-paint finish with 500-hour salt-spray approval
- When properly anchored, meets the 2001 Florida Building Code unit integrity requirements for hurricane-type winds

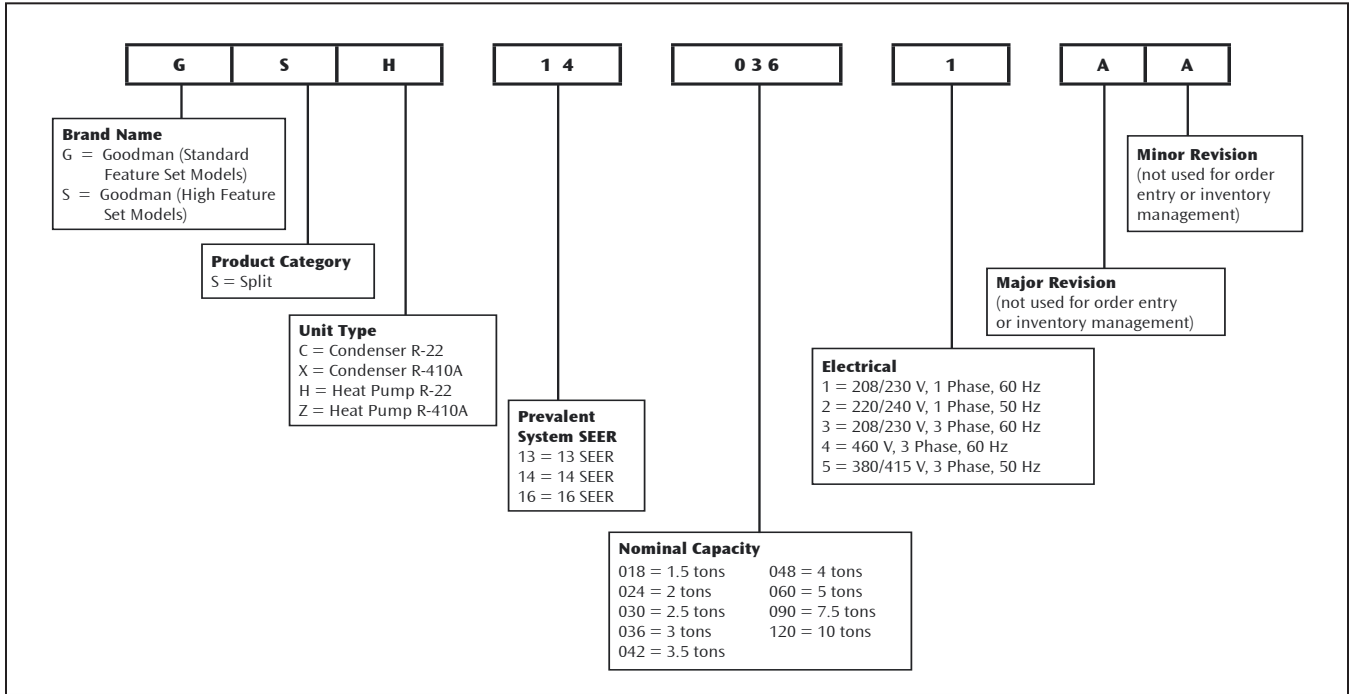
Accessories

- See list of accessories on Page 12.



PRODUCT SPECIFICATIONS

NOMENCLATURE



Important EnergyStar Notice: Proper sizing and installation of equipment is critical to achieve optimal performance. Split system air conditioners and heat pumps must be matched with appropriate coil components to meet EnergyStar criteria. Ask your contractor for details or visit www.energystar.gov.

SPECIFICATIONS

	GSH14 0181A	GSH14 0241A	GSH14 0301A	GSH14 0361A	GSH14 0421A	GSH14 0481A	GSH14 0481B	GSH14 0601A
Capacities and Ratings								
Nominal Cooling (BTU/h)	18,000	24,000	28,000	34,600	39,600	46,000	48,000	55,000
Nominal Heating (BTU/h)	18,000	24,000	27,600	34,600	39,600	46,000	46,000	55,000
Decibels	70	72	72	73	73	74	74	75
Compressor								
RLA	9	10.9	12.2	13.4	16.0	18.3	17.9	19.8
LRA	41.0	54.0	63.0	73.0	88.0	109.0	104.0	137.0
Condenser Fan Motor								
Horsepower	1/12	1/6	1/6	1/4	1/4	1/4	1/4	1/4
FLA	0.6	1.10	1.10	1.50	1.50	1.50	1.50	1.50
Refrigerant Lines								
Liquid Valve Size ("O.D.")*	3/8"	3/8"	3/8"	3/8"	3/8"	3/8"	3/8"	3/8"
Suction Valve Size ("O.D.")*	3/4"	3/4"	3/4"	7/8"	7/8"	7/8"	7/8"	7/8"
Valve Connection Type	Sweat				Sweat			
Refrigerant Charge	160	160	165	220	220	280	205	285
Shipped with Orifice Size	TXV	TXV	TXV	TXV	TXV	TXV	TXV	TXV
Electrical Data								
Volts / Hz / Phase	208/230-60-1				208/230-60-1			
Minimum Circuit Ampacity ¹	11.8	14.7	16.3	18.3	21.5	27.8	23.9	27.3
Maximum Overcurrent Device ²	20	20	20	30	30	40	40	40
Min / Max Volts	197 / 253	197 / 253	197 / 253	197 / 253	197 / 253	197 / 253	197 / 253	197 / 253
Electrical Conduit Size	1/2" or 3/4"	1/2" or 3/4"	1/2" or 3/4"	1/2" or 3/4"	1/2" or 3/4"	1/2" or 3/4"	1/2" or 3/4"	1/2" or 3/4"
Ship Weight (lbs)	199	207	207	242	242	266	TBD	280

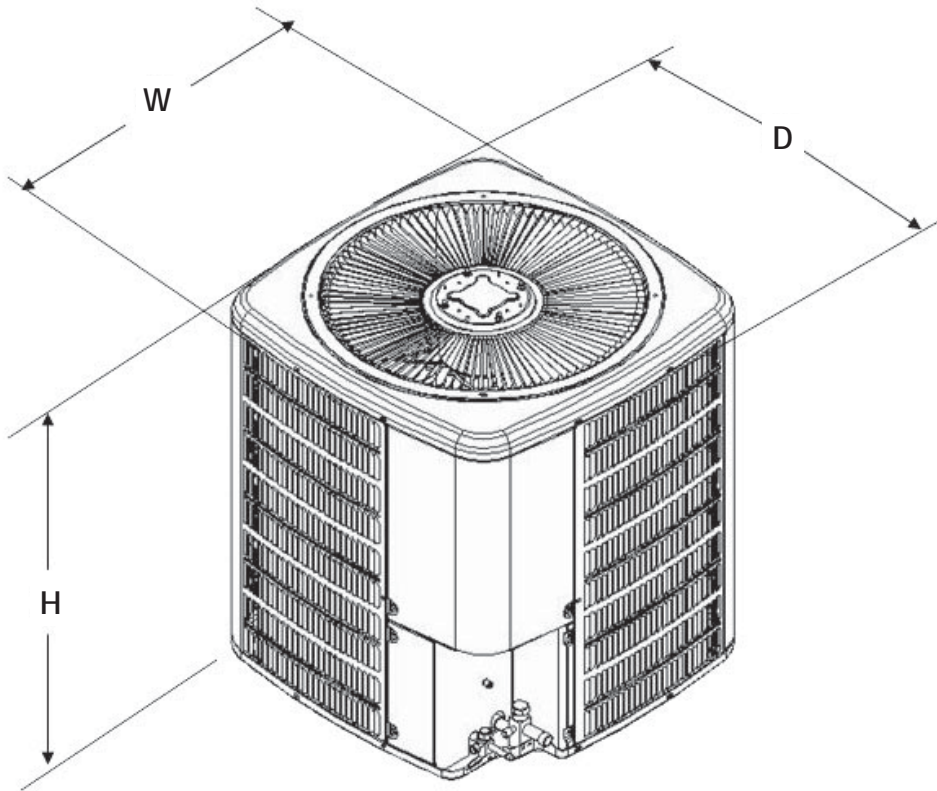
* Up to 35' in equivalent line length

¹ Wire size should be determined in accordance with National Electrical Codes; extensive wire runs will require larger wire sizes

² Must use time-delay fuses or HACR-type circuit breakers of the same size as noted

PRODUCT SPECIFICATIONS

DIMENSIONS



Model	Dimensions W x D x H
GSH140181A	29 x 29 x 34¼
GSH140241A	29 x 29 x 38¼
GSH140301A	29 x 29 x 38¼
GSH140361A	35½ x 35½ x 38¼
GSH140421A	35½ x 35½ x 38¼
GSH140481A	35½ x 35½ x 38¼
GSH140481B	35½ x 35½ x 34¼
GSH140601A	35½ x 35½ x 38¼

See Notes on Page 6.

PERFORMANCE RATINGS

Outdoor Unit	Indoor Units	Cooling Capacity (BTU/h)				TVA Ratings ³		Heating Capacity (BTU/h)			ARI #
		Total	Sens.	SEER ¹	EER ²	Total	Sens.	High	HSPF ⁴	Low	
GSH14 0181A*	AEPF183016A*+TXV	18,000	13,300	15.00	12.50	16,700	13,400	18,000	8.20	10,400	1031670
	AEPF183016B*+TXV	18,000	13,300	15.00	12.50	16,700	13,400	18,000	8.20	10,400	1277853
	AEPT030-00*-1*	18,000	13,300	15.00	12.50	16,700	13,400	18,000	8.20	10,400	890457
	ARPF193116A*	19,000	14,100	14.50	12.50	17,700	14,100	18,000	8.30	10,400	1169089
	ARUF193116A*+TXV	19,000	14,100	14.50	12.50	17,700	14,100	18,000	8.30	11,000	1032063
	ASPF183016A*+TXV	18,000	13,300	15.00	12.50	16,700	13,400	18,000	8.50	10,400	1288553
	CA*F042*2*+MBE1200**.-1+TXV	18,000	13,300	15.00	12.50	16,700	13,400	18,000	8.20	10,400	890104
	CA*F042*2*+MBR0800**.-1+TXV	18,000	13,300	14.00	12.00	16,700	13,400	18,000	8.20	10,400	893640
	CA*F042*2*+TXV+G*V950453B**	18,000	13,300	15.00	12.50	16,700	13,400	18,000	8.20	10,400	890074
	CA*F042*2*+TXV+G*V950453B**	18,000	13,300	15.00	12.50	16,700	13,400	18,000	8.20	10,400	890287
	CA*F3131*6A*+MBE1200**.-1+TXV	18,000	13,300	15.00	12.50	16,700	13,400	18,000	8.20	10,400	890224
	CA*F3131*6A*+MBR0800**.-1+TXV	18,000	13,300	14.00	12.00	16,700	13,400	18,000	8.20	10,400	890314
	CA*F3131*6A*+TXV+G*E80704B**	18,000	13,300	15.00	12.50	16,700	13,400	18,000	8.20	10,400	1273320
	CA*F3131*6A*+TXV+G*V80704B**	18,000	13,300	15.00	12.50	16,700	13,400	18,000	8.20	10,400	890132
	CA*F3131*6A*+TXV+G*V950704C**	18,600	13,800	15.00	12.50	17,300	13,800	18,000	8.30	11,000	1032074
	CA*F3131*6A*+TXV+G*V950453B**	18,000	13,300	15.00	12.50	16,700	13,400	18,000	8.20	10,400	890124
	CAPF3131*6A+EEP+TXV	19,000	14,100	14.00	12.00	17,700	14,100	18,000	8.30	11,000	1038379
	CHPF042B2*+MBR0800**.-1+TXV	18,000	13,300	14.00	12.00	16,700	13,400	18,000	8.20	10,400	1031665
	CHPF042B2*+TXV+G*V950453B**	18,000	13,300	15.00	12.50	16,700	13,400	18,000	8.20	10,400	890128
	CHPF042B2*+TXV+G*V80704B**	18,000	13,300	15.00	12.50	16,700	13,400	18,000	8.20	10,400	890035
	CHPF2430B6A*+MBR0800**.-1+TXV	18,000	13,300	14.00	12.00	16,700	13,400	18,000	8.20	10,400	1031646
	CHPF2430B6A*+TXV+G*E80704B**	18,000	13,300	15.00	12.50	16,700	13,400	18,000	8.20	10,400	1273321
	CHPF2430B6A*+TXV+G*V950453B**	18,000	13,300	15.00	12.50	16,700	13,400	18,000	8.20	10,400	890383
	CHPF2430B6A*+TXV+G*V80704B**	18,000	13,300	15.00	12.50	16,700	13,400	18,000	8.20	10,400	890236
	CSCF3036N6A*+MBR0800**.-1+TXV	18,000	13,300	14.00	12.00	16,700	13,400	18,000	8.20	10,400	890112
	CSCF3036N6A*+MBR800**.-1+TXV	18,000	13,300	14.00	12.00	16,700	13,400	18,000	8.20	10,400	890322
	CSCF3036N6A*+TXV+G*V80704B**	18,000	13,300	15.00	12.50	16,700	13,400	18,000	8.20	10,400	890350
	CSCF3036N6A*+TXV+G*E80704B**	18,000	13,300	15.00	12.50	16,700	13,400	18,000	8.20	10,400	1273322
	CSCF3036N6A*+TXV+G*V950453B**	18,000	13,300	15.00	12.50	16,700	13,400	18,000	8.20	10,400	890285
	CSCF3036N6B*+MBR0800**.-1+TXV	18,000	13,300	14.00	12.00	16,700	13,400	18,000	8.20	10,400	1296854
	CSCF3036N6B*+TXV+G*E80704B**	18,000	13,300	15.00	12.50	16,700	13,400	18,000	8.20	10,400	1296641
	CSCF3036N6B*+TXV+G*V80704B**	18,000	13,300	15.00	12.50	16,700	13,400	18,000	8.20	10,400	1296642
	CSCF3036N6B*+TXV+G*V950453B**	18,000	13,300	15.00	12.50	16,700	13,400	18,000	8.20	10,400	1296643
H49F+MBR0800**.-1+TXV	18,000	13,300	14.00	12.00	16,700	13,400	18,000	8.20	10,400	890116	
H49F+TXV+G*V950453B**	18,000	13,300	15.00	12.50	16,700	13,400	18,000	8.20	10,400	890409	
H49F+TXV+G*V80704B**	18,000	13,300	15.00	12.50	16,700	13,400	18,000	8.20	10,400	890049	

¹ Seasonal Energy Efficiency Ratio; Certified per ARI 210/240 @ 80°F/ 67°F/ 95°F

² Energy Efficiency Ratio @ 80°F/ 67°F/ 95°F

³ TVA Rating: BTU/h @ 75°F/ 63°F - 95°F

⁴ HSPF = Heating Seasonal Performance Factor

Notes:

- Always check the S&R plate for electrical data on the unit being installed.
- When matching the outdoor unit to the indoor unit, use the piston supplied with the outdoor unit or that specified on the piston kit chart supplied with the indoor unit.
- EEP - Order from Service Dept. Part No. B13707-38 or new Solid State Board B13707-35S. Part No. B13707-38 is not interchangeable with B13707-35S. The Goodman Gas Furnace contains the EEP cooling time delay

PRODUCT SPECIFICATIONS

PERFORMANCE RATINGS (CONT.)

Outdoor Unit	Indoor Units	Cooling Capacity (BTU/h)				TVA Ratings ³		Heating Capacity (BTU/h)			ARI #
		Total	Sens.	SEER ¹	EER ²	Total	Sens.	High	HSPF ⁴	Low	
GSH14 0241A*	ADPF304216A*+TXV	24,000	18,200	14.00	12.00	22,300	18,100	24,000	8.20	15,000	1031666
	AEPF036-00*-1*	24,000	18,200	15.00	12.50	22,300	18,100	24,000	8.20	15,000	890324
	AEPF303616A*+TXV	24,000	18,200	15.00	12.50	22,300	18,100	24,000	8.20	15,000	1031650
	AEPF303616B*+TXV	24,000	18,200	15.00	12.50	22,300	18,100	24,000	8.20	15,000	1277864
	ARPF193116A*	24,000	18,200	14.00	12.00	22,300	18,100	24,000	8.50	14,000	1169093
	ARUF193116A*+TXV	24,000	18,200	14.00	12.50	22,300	18,100	24,000	8.50	14,000	1032064
	ASPF303616A*+TXV	24,000	18,200	15.00	12.50	22,300	18,100	22,000	8.50	12,000	1288554
	CA*F048*2*+G*V950453B**	23,600	17,900	14.00	12.00	21,900	17,800	23,600	8.20	15,000	890211
	CA*F048*2*+MBE1200**-1+TXV	24,000	18,200	15.00	12.50	22,300	18,100	24,000	8.20	15,000	890304
	CA*F048*2*+MBR0800**-1+TXV	24,000	18,200	14.00	12.00	22,300	18,100	24,000	8.40	15,000	890171
	CA*F048*2*+TXV+G*V80704B**	23,000	17,500	15.00	12.50	21,400	17,300	23,000	8.20	15,000	890066
	CA*F3636*6A*+G*V950453B**	23,600	17,900	14.00	12.00	21,900	17,800	23,600	8.20	15,000	890335
	CA*F3636*6A*+EEP+TXV	24,000	18,200	14.00	12.00	22,300	18,100	24,800	8.50	14,000	1038375
	CA*F3636*6A*+MBE1200**-1+TXV	24,000	18,200	15.00	12.50	22,300	18,100	24,000	8.20	15,000	890044
	CA*F3636*6A*+MBR0800**-1+TXV	24,000	18,200	14.00	12.00	22,300	18,100	24,000	8.40	15,000	890125
	CA*F3636*6A*+TXV+G*V80704B**	23,000	17,500	15.00	12.50	21,400	17,300	23,000	8.20	15,000	890241
	CA*F3636*6A*+TXV+G*E80704B**	23,000	17,500	15.00	12.50	21,400	17,300	23,000	8.20	15,000	1273323
	CA*F3642*6A*+EEP+TXV	24,000	18,200	14.00	12.00	22,300	18,100	24,800	8.50	14,000	1169092
	CHPF3636*6A*+MBE1200**-1+TXV	24,000	18,200	14.00	12.00	22,300	18,100	24,000	8.20	15,000	890090
	CHPF3636B6A*+EEP+TXV	24,000	18,200	14.00	12.00	22,300	18,100	24,800	8.50	14,000	1038814
	CHPF3636B6A*+MBR0800**-1+TXV	24,000	18,200	14.00	12.00	22,300	18,100	24,000	8.20	15,000	1032324
	CHPF3636B6A*+TXV+G*V80704B**	24,000	18,200	14.50	12.20	22,300	18,100	24,000	8.40	15,000	890398
	CHPF3636B6A*+TXV+G*V950453B**	24,000	18,200	14.50	12.20	22,300	18,100	24,000	8.40	15,000	890047
	CHPF3636B6A*+TXV+G*E80704B**	24,000	18,200	15.00	12.50	22,300	18,100	24,000	8.40	15,000	1273324
	CSCF3036N6A*+TXV+G*E80704B**	24,000	18,200	15.00	12.50	22,300	18,100	24,000	8.40	15,000	1273325
	CSCF3036N6A*+TXV+G*V80704B**	24,000	18,200	14.50	12.20	22,300	18,100	24,000	8.40	15,000	890411
	CSCF3036N6A*+TXV+G*V950453B**	24,000	18,200	14.50	12.20	22,300	18,100	24,000	8.40	15,000	890267
	CSCF3036N6B*+TXV+G*E80704B**	24,000	18,200	15.00	12.50	22,300	18,100	24,000	8.40	15,000	1296644
	CSCF3036N6B*+TXV+G*V80704B**	24,000	18,200	14.50	12.20	22,300	18,100	24,000	8.40	15,000	1296645
	CSCF3036N6B*+TXV+G*V950453B**	24,000	18,200	14.50	12.20	22,300	18,100	24,000	8.40	15,000	1296646
H49F+MBR0800**-1+TXV	24,000	18,200	14.00	12.00	22,300	18,100	24,000	8.40	15,000	890318	
H49F+TXV+G*V950453B**	24,000	18,200	14.50	12.20	22,300	18,100	24,000	8.40	15,000	890413	
H49F+TXV+G*V80704B**	24,000	18,200	14.50	12.20	22,300	18,100	24,000	8.40	15,000	890188	

¹ Seasonal Energy Efficiency Ratio; Certified per ARI 210/240 @ 80°F/ 67°F/ 95°F

² Energy Efficiency Ratio @ 80°F/ 67°F/ 95°F

³ TVA Rating: BTU/h @ 75°F/ 63°F - 95°F

⁴ HSPF = Heating Seasonal Performance Factor

Notes:

- Always check the S&R plate for electrical data on the unit being installed.
- When matching the outdoor unit to the indoor unit, use the piston supplied with the outdoor unit or that specified on the piston kit chart supplied with the indoor unit.
- EEP - Order from Service Dept. Part No. B13707-38 or new Solid State Board B13707-35S. Part No. B13707-38 is not interchangeable with B13707-35S. The Goodman Gas Furnace contains the EEP cooling time delay

PERFORMANCE RATINGS (CONT.)

Outdoor Unit	Indoor Units	Cooling Capacity (BTU/h)				TVA Ratings ³		Heating Capacity (BTU/h)			ARI #
		Total	Sens.	SEER ¹	EER ²	Total	Sens.	High	HSPF ⁴	Low	
GSH14 0301A*	AEPF303616A*+TXV	28,000	22,400	15.00	12.50	26,000	22,100	27,600	8.40	16,800	1031671
	AEPF303616B*+TXV	28,000	22,400	15.00	12.50	26,000	22,100	27,600	8.40	16,800	1277865
	AEPT036-00*-1*	28,000	22,400	15.00	12.50	26,000	22,100	27,600	8.40	16,800	890431
	ARPF193116A*	28,000	22,400	14.00	12.00	26,000	22,100	26,600	8.30	15,600	1169091
	ARUF193116A*+TXV	28,000	22,400	14.00	12.00	26,000	22,100	26,600	8.30	17,400	1032068
	ASPF303616A*+TXV	28,000	22,400	15.00	12.50	26,000	22,100	28,000	8.50	18,000	1288555
	CA*F048*2*+MBR1200*-1+TXV	28,000	22,400	14.00	12.00	26,000	22,100	27,600	8.40	16,800	890302
	CA*F060*2*+MBE1600*-1+TXV	28,000	22,400	15.00	12.50	26,000	22,100	27,600	8.40	16,800	890110
	CA*F060*2*+TXV+G*V81155C**	28,000	22,400	14.50	12.20	26,000	22,100	27,600	8.40	16,800	890120
	CA*F060*2*+TXV+G*V80905C**	28,000	22,400	14.50	12.20	26,000	22,100	27,600	8.40	16,800	890033
	CA*F3642*6A*+EEP+TXV	28,000	22,400	14.00	12.00	26,000	22,100	27,000	8.50	18,000	1038374
	CA*F3642*6A*+MBE1600*-1+TXV	28,000	22,400	15.00	12.50	26,000	22,100	27,600	8.40	16,800	1031648
	CA*F3642*6A*+MBR1200*-1+TXV	28,000	22,400	14.00	12.00	26,000	22,100	27,600	8.40	16,800	890208
	CA*F3642*6A*+MBR1600*-1+TXV	28,000	22,400	14.00	12.00	26,000	22,100	27,000	8.50	18,000	1032065
	CA*F3642*6A*+TXV+G*E80905C**	28,000	22,400	14.50	12.20	26,000	22,100	27,600	8.40	16,800	1273350
	CA*F3642*6A*+TXV+G*E81155C**	28,000	22,400	14.50	12.20	26,000	22,100	27,600	8.40	16,800	1273364
	CA*F3642*6A*+TXV+G*V950704C**	28,000	22,400	14.50	12.50	26,000	22,100	27,000	8.50	18,000	1032067
	CA*F3642*6A*+TXV+G*V80905C**	28,000	22,400	14.50	12.20	26,000	22,100	27,600	8.40	16,800	890404
	CA*F3642*6A*+TXV+G*V81155C**	28,000	22,400	14.50	12.20	26,000	22,100	27,600	8.40	16,800	890276
	CHPF048D2*+MBE1600*-1+TXV	28,000	22,400	15.00	12.50	26,000	22,100	27,600	8.40	16,800	1032315
	CHPF048D2*+MBR1600*-1+TXV	28,000	22,400	14.00	12.00	26,000	22,100	27,600	8.40	16,800	1032327
	CHPF048D2*+TXV+G*V80905C**	28,000	22,400	14.50	12.50	26,000	22,100	27,600	8.40	16,800	1032314
	CHPF048D2*+TXV+G*V81155C**	28,000	22,400	14.50	12.20	26,000	22,100	27,600	8.40	16,800	1032320
	CHPF048D2*+TXV+G*V950704C**	28,000	22,400	14.50	12.20	26,000	22,100	27,600	8.40	16,800	1032318
	CHPF3642*6A*+TXV+G*V80905C**	28,000	22,400	14.50	12.20	26,000	22,100	27,600	8.40	16,800	890180
	CHPF3642*6A*+TXV+G*E80905C**	28,000	22,400	14.50	12.20	26,000	22,100	27,600	8.40	16,800	1273351
	CHPF3642*6A*+TXV+G*E81155C**	28,000	22,400	14.50	12.20	26,000	22,100	27,600	8.40	16,800	1273365
	CHPF3642*6A*+TXV+G*V81155C**	28,000	22,400	14.50	12.20	26,000	22,100	27,600	8.40	16,800	890226
	CHPF3642*6A*+TXV+G*V950704C**	28,000	22,400	14.50	12.20	26,000	22,100	27,600	8.40	16,800	890070
	CHPF3642*6A*+EEP+TXV	28,000	22,400	14.00	12.00	26,000	22,100	27,000	8.50	18,000	1044494
	CHPF3642C6A*+MBE1600*-1+TXV	28,000	22,400	15.00	12.50	26,000	22,100	27,600	8.40	16,800	1032313
	CHPF3642C6A*+MBR1600*-1+TXV	28,000	22,400	14.00	12.00	26,000	22,100	27,600	8.40	16,800	1032321
	CSCF3642N6A*+MBR1600*-1+TXV	28,000	22,400	14.00	12.00	26,000	22,100	27,600	8.40	16,800	1031656
	CSCF3642N6A*+TXV+G*E80905C**	28,000	22,400	14.50	12.20	26,000	22,100	27,600	8.40	16,800	1273352
	CSCF3642N6A*+TXV+G*V80905C**	28,000	22,400	14.50	12.20	26,000	22,100	27,600	8.40	16,800	890405
	CSCF3642N6A*+TXV+G*V81155C**	28,000	22,400	14.50	12.20	26,000	22,100	27,600	8.40	16,800	890328
	CSCF3642N6A*+TXV+G*V950704C**	28,000	22,400	14.50	12.20	26,000	22,100	27,600	8.40	16,800	890079
	CSCF3642N6A*+TXV+G*E81155C**	28,000	22,400	14.50	12.20	26,000	22,100	27,600	8.40	16,800	1273366
	CSCF3642N6C*+MBR1600*-1+TXV	28,000	22,400	14.00	12.00	26,000	22,100	27,600	8.40	16,800	1296594
	CSCF3642N6C*+TXV+G*E80905C**	28,000	22,400	14.50	12.20	26,000	22,100	27,600	8.40	16,800	1296587
	CSCF3642N6C*+TXV+G*E81155C**	28,000	22,400	14.50	12.20	26,000	22,100	27,600	8.40	16,800	1296588
	CSCF3642N6C*+TXV+G*V80905C**	28,000	22,400	14.50	12.20	26,000	22,100	27,600	8.40	16,800	1296589
	CSCF3642N6C*+TXV+G*V81155C**	28,000	22,400	14.50	12.20	26,000	22,100	27,600	8.40	16,800	1296590
	CSCF3642N6C*+TXV+G*V950704C**	28,000	22,400	14.50	12.20	26,000	22,100	27,600	8.40	16,800	1296591
	H60F+MBR1600*-1+TXV	28,000	22,400	14.00	12.00	26,000	22,100	27,600	8.40	16,800	890158
	H60F+TXV+G*V81155C**	28,000	22,400	14.50	12.20	26,000	22,100	27,600	8.40	16,800	890367
	H60F+TXV+G*V80905C**	28,000	22,400	14.50	12.20	26,000	22,100	27,600	8.40	16,800	890342
	H60F+TXV+G*V950704C**	28,000	22,400	14.50	12.20	26,000	22,100	27,600	8.40	16,800	890216

PRODUCT SPECIFICATIONS

PERFORMANCE RATINGS (CONT.)

Outdoor Unit	Indoor Units	Cooling Capacity (BTU/h)				TVA Ratings ³		Heating Capacity (BTU/h)			ARI #
		Total	Sens.	SEER ¹	EER ²	Total	Sens.	High	HSPF ⁴	Low	
GSH14 0361A*	AEPF426016A*+TXV	35,000	24,900	15.00	12.50	32,600	27,700	34,600	8.75	21,600	1031644
	AEPF426016B*+TXV	35,000	24,900	15.00	12.50	32,600	27,700	34,600	8.75	21,600	1277854
	AEPT060-00*-1*	35,000	24,900	15.00	12.50	32,600	27,700	34,600	8.75	21,600	890320
	AR*F363616A*+TXV	34,400	24,400	13.50	11.80	32,000	27,200	32,600	8.30	22,000	1273422
	ARPF374316A*+TXV	36,000	25,600	14.00	12.00	33,500	28,500	34,600	8.75	22,000	1044503
	ARUF374316A*+TXV	36,000	25,600	14.00	12.00	33,500	28,500	34,600	9.00	22,000	1032069
	ASPF303616A*+TXV	35,000	24,900	15.00	12.50	32,600	27,700	34,600	9.00	23,600	1288556
	ASPF426016A*+TXV	35,000	24,900	15.00	13.00	32,600	27,700	34,600	9.00	23,600	1288557
	CA*F061*2*+MBE1600**-1+TXV	34,600	24,600	14.50	12.20	32,200	27,400	34,600	8.75	21,600	890402
	CA*F061*2*+MBE2000**-1+TXV	34,600	24,600	15.00	12.50	32,200	27,400	34,600	8.75	21,600	890196
	CA*F061*2*+MBR1600**-1+TXV	34,600	24,600	14.00	12.00	32,200	27,400	34,600	8.75	21,600	890298
	CA*F061*2*+TXV+G*V950905D**	34,600	24,600	15.00	12.50	32,200	27,400	34,600	8.75	21,600	890381
	CA*F061*2*+TXV+G*V81155C**	34,600	24,600	14.50	12.20	32,200	27,400	34,600	8.75	21,600	890115
	CA*F061*2*+TXV+G*V950704C**	34,600	24,600	14.50	12.20	32,200	27,400	34,600	8.75	21,600	890101
	CA*F061*2*+TXV+G*V951155D**	34,600	24,600	15.00	13.00	32,200	27,400	34,600	9.00	21,600	1031663
	CA*F061*2*+TXV+G*V90905D**	34,600	24,600	15.00	12.50	32,200	27,400	34,600	8.75	21,600	890274
	CA*F4860*6A*+G*V90905D**	34,600	24,600	15.00	12.50	32,200	27,400	34,600	8.75	21,600	1163817
	CA*F4860*6A*+EEP+TXV	36,000	25,600	14.00	12.00	33,500	28,500	34,600	8.75	22,000	1038369
	CA*F4860*6A*+MBE1600**-1+TXV	34,600	24,600	14.50	12.20	32,200	27,400	34,600	8.75	21,600	890437
	CA*F4860*6A*+MBE2000**-1+TXV	34,600	24,600	15.00	12.50	32,200	27,400	34,600	8.75	21,600	890209
	CA*F4860*6A*+MBR1600**-1+TXV	34,600	24,600	14.00	12.00	32,200	27,400	34,600	8.75	21,600	890227
	CA*F4860*6A*+TXV+G*E80905C**	34,600	24,600	14.50	12.20	32,200	27,400	34,600	8.75	21,600	1273353
	CA*F4860*6A*+TXV+G*V90905D**	34,600	24,600	15.00	12.50	32,200	27,400	34,600	8.75	21,600	890054
	CA*F4860*6A*+TXV+G*V950905D**	34,600	24,600	15.00	12.50	32,200	27,400	34,600	8.75	21,600	890440
	CA*F4860*6A*+TXV+G*E81155C**	34,600	24,600	14.50	12.20	32,200	27,400	34,600	8.75	21,600	1273367
	CA*F4860*6A*+TXV+G*V950704C**	34,600	24,600	14.50	12.20	32,200	27,400	34,600	8.75	21,600	890144
	CA*F4860*6A*+TXV+G*V951155D**	34,600	24,600	15.00	13.00	32,200	27,400	34,600	9.00	21,600	1031645
	CA*F4860*6A*+TXV+G*V81155C**	34,600	24,600	14.50	12.20	32,200	27,400	34,600	8.75	21,600	890463
	CA*F4860*6A*+TXV+G*V80905C**	34,600	24,600	14.50	12.20	32,200	27,400	34,600	8.75	21,600	890257
	CHPF3642C6A*+MBE1600**-1+TXV	35,000	24,900	15.00	12.50	32,600	27,700	34,600	8.75	21,600	1278396
	CHPF4860D6A*+EEP+TXV	34,600	24,600	14.00	12.00	32,200	27,400	34,600	8.75	22,000	1145048
	CHPF4860D6A*+MBE1600**-1+TXV	34,600	24,600	15.00	12.50	32,200	27,400	34,600	9.00	21,600	1145058
	CHPF4860D6A*+MBE2000**-1A*+TXV	34,600	24,600	15.00	12.50	32,200	27,400	34,600	9.00	21,600	1145314
	CHPF4860D6A*+TXV+G*V90905D**	34,600	24,600	15.00	12.50	32,200	27,400	34,600	9.00	21,600	1145047
	CHPF4860D6A*+TXV+G*V951155D**	34,600	24,600	15.00	12.50	32,200	27,400	34,600	9.00	21,600	1128625
	CHPF4860D6A*+TXV+G*V950905D**	34,600	24,600	15.00	12.50	32,200	27,400	34,600	9.00	21,600	1128622
	CSCF4860N6A*+EEP+TXV	34,600	24,600	14.00	12.00	32,200	27,400	34,600	8.75	22,000	1145049
	CSCF4860N6A*+TXV+G*V951155D**	34,600	24,600	15.00	12.50	32,200	27,400	34,600	8.75	21,600	1128627
	CSCF4860N6A*+TXV+G*V90905D**	34,600	24,600	15.00	12.50	32,200	27,400	34,600	8.75	21,600	1128626
	CSCF4860N6C*+EEP+TXV	34,600	24,600	14.00	12.00	32,200	27,400	34,600	8.75	22,000	1296647
CSCF4860N6C*+TXV+G*V90905D**	34,600	24,600	15.00	12.50	32,200	27,400	34,600	8.75	21,600	1296648	
CSCF4860N6C*+TXV+G*V951155D**	34,600	24,600	15.00	12.50	32,200	27,400	34,600	8.75	21,600	1296649	
H61F+TXV+G*V90905D**	34,600	24,600	15.00	12.50	32,200	27,400	34,600	8.75	21,600	1128623	
H61F+TXV+G*V951155D**	34,600	24,600	15.00	12.50	32,200	27,400	34,600	8.75	21,600	1128624	

PERFORMANCE RATINGS (CONT.)

Outdoor Unit	Indoor Units	Cooling Capacity (BTU/h)				TVA Ratings ³		Heating Capacity (BTU/h)			ARI #
		Total	Sens.	SEER ¹	EER ²	Total	Sens.	High	HSPF ⁴	Low	
GSH14 0421A*	AEPF426016A*+TXV	39,500	30,800	15.00	12.50	36,700	30,900	39,500	9.00	25,000	1031664
	AEPF426016B*+TXV	39,500	30,800	15.00	12.50	36,700	30,900	39,500	9.00	25,000	1277855
	AEPT060-00*-1*	39,500	30,800	15.00	12.50	36,700	30,900	39,500	9.00	25,000	890338
	ARPF374316A*+TXV	40,000	31,200	14.00	12.00	37,200	31,200	39,000	9.00	25,000	1044501
	ARUF374316A*+TXV	39,500	30,800	14.00	12.00	36,700	30,900	39,500	9.00	25,000	1031668
	ASPF426016A*+TXV	39,500	30,800	15.00	12.50	36,700	30,900	40,000	9.00	27,400	1288558
	CA*F061*2*+MBE2000**~1+TXV	39,500	30,800	15.00	12.50	36,700	30,900	39,500	9.00	25,000	890337
	CA*F061*2*+MBR2000**~1+TXV	39,500	30,800	14.00	12.00	36,700	30,900	39,500	9.00	25,000	890260
	CA*F061*2*+TXV+G*V951155D**	39,500	30,800	15.00	12.50	36,700	30,900	39,500	9.00	25,000	890250
	CA*F061*2*+TXV+G*V950905D**	39,500	30,800	15.00	12.50	36,700	30,900	39,500	9.00	25,000	890072
	CA*F4860*6A*+EEP+TXV	40,000	31,200	14.00	12.00	37,200	31,200	39,000	9.00	25,000	1038367
	CA*F4860*6A*+MBE2000**~1+TXV	39,500	30,800	15.00	12.50	36,700	30,900	39,500	9.00	25,000	890456
	CA*F4860*6A*+MBR2000**~1+TXV	39,500	30,800	14.00	12.00	36,700	30,900	39,500	9.00	25,000	890434
	CA*F4860*6A*+TXV+G*V950905D**	39,500	30,800	15.00	12.50	36,700	30,900	39,500	9.00	25,000	890105
	CA*F4860*6A*+TXV+G*V951155D**	39,500	30,800	15.00	12.50	36,700	30,900	39,500	9.00	25,000	890313
	CA*F4860*6A*+TXV+G*V80905C**	39,500	30,800	14.50	12.50	36,700	30,900	39,500	8.75	24,000	1169090
	CHPF060D2*+MBR2000**~1+TXV	39,500	30,800	14.00	12.50	36,700	30,900	39,500	9.00	25,000	890347
	CHPF060D2*+TXV+G*V951155D**	39,500	30,800	15.00	12.50	36,700	30,900	39,500	9.00	25,000	890264
	CHPF4860*6A*+MBE2000**~1+TXV	39,500	30,800	15.00	12.00	36,700	30,900	39,500	9.00	25,000	890025
	CHPF4860*6A*+TXV+G*V950905D**	39,500	30,800	15.00	12.50	36,700	30,900	39,500	9.00	25,000	890117
	CHPF4860*6A*+TXV+G*V951155D**	39,500	30,800	15.00	12.50	36,700	30,900	39,500	9.00	25,000	890280
	CHPF4860D6A*+EEP+TXV	40,000	31,200	14.00	12.00	37,200	31,200	39,000	9.00	25,000	1046124
	CHPF4860D6A*+MBR2000**~1+TXV	40,000	31,200	14.00	12.00	37,200	31,200	39,000	9.00	25,000	1031772
	CSCF4860N6A*+EEP+TXV	39,000	30,400	14.00	12.00	36,300	30,500	38,500	9.00	25,000	1145050
	CSCF4860N6A*+TXV+G*V951155D**	39,500	30,800	15.00	13.00	36,700	30,900	39,500	9.00	25,000	1031662
	CSCF4860N6A*+TXV+G*V950905D**	39,500	30,800	15.00	12.50	36,700	30,900	39,500	9.00	25,000	1031657
	CSCF4860N6C*+EEP+TXV	39,000	30,400	14.00	12.00	36,300	30,500	38,500	9.00	25,000	1296650
	CSCF4860N6C*+TXV+G*V950905D**	39,500	30,800	15.00	12.50	36,700	30,900	39,500	9.00	25,000	1296651
	CSCF4860N6C*+TXV+G*V951155D**	39,500	30,800	15.00	13.00	36,700	30,900	39,500	9.00	25,000	1296652
	H61F+MBR2000**~1+TXV	39,500	30,800	15.00	12.50	36,700	30,900	39,500	9.00	25,000	890349
H61F+TXV+G*V951155D**	39,500	30,800	15.00	12.50	36,700	30,900	39,500	9.00	25,000	1031654	

¹ Seasonal Energy Efficiency Ratio; Certified per ARI 210/240 @ 80°F/ 67°F/ 95°F

² Energy Efficiency Ratio @ 80°F/ 67°F/ 95°F

³ TVA Rating: BTU/h @ 75°F/ 63°F - 95°F

⁴ HSPF = Heating Seasonal Performance Factor

Notes:

- Always check the S&R plate for electrical data on the unit being installed.
- When matching the outdoor unit to the indoor unit, use the piston supplied with the outdoor unit or that specified on the piston kit chart supplied with the indoor unit.
- EEP - Order from Service Dept. Part No. B13707-38 or new Solid State Board B13707-35S. Part No. B13707-38 is not interchangeable with B13707-35S. The Goodman Gas Furnace contains the EEP cooling time delay

PRODUCT SPECIFICATIONS

PERFORMANCE RATINGS (CONT.)

Outdoor Unit	Indoor Units	Cooling Capacity (BTU/h)				TVA Ratings ³		Heating Capacity (BTU/h)			ARI #
		Total	Sens.	SEER ¹	EER ²	Total	Sens.	High	HSPF ⁴	Low	
0481A* GSH14	ADPF48601A*+TXV	46,000	34,000	13.50	11.75	42,800	33,800	46,000	8.50	30,000	890391
	AEPF426016A*+TXV	45,500	33,700	15.00	12.50	42,300	33,400	46,000	8.75	30,000	1031651
	AEPF426016B*+TXV	45,500	33,700	15.00	12.50	42,300	33,400	46,000	8.75	30,000	1277856
	AEPT060-00*-1*	45,500	33,700	15.00	12.50	42,300	33,400	46,000	8.75	30,000	890135
	ARPF374316A*+TXV	47,000	34,800	14.00	12.00	43,700	34,500	46,000	9.00	29,000	1044498
	ARUF374316A*+TXV	46,000	34,000	14.00	12.00	42,800	33,800	46,000	8.50	30,000	1031655
	ASPF426016A*+TXV	45,500	33,700	15.00	12.50	42,300	33,400	46,000	8.75	30,000	1288559
	CA*F061*2*+G*V950905D**	46,000	34,000	14.50	12.00	42,800	33,800	46,000	8.50	30,000	890373
	CA*F061*2*+MBE2000**-1+TXV	46,000	34,000	15.00	12.50	42,800	33,800	46,000	8.75	30,000	890426
	CA*F061*2*+MBR2000**-1+TXV	46,000	34,000	14.00	12.00	42,800	33,800	46,000	8.50	30,000	890223
	CA*F061*2*+TXV+G*V951155D**	46,000	34,000	14.50	12.00	42,800	33,800	46,000	8.50	30,000	1031649
	CA*F061*2*+TXV+G*V950905D**	46,000	34,000	14.50	12.00	42,800	33,800	46,000	8.50	30,000	890083
	CA*F4860*6A*+G*V950905D**	46,000	34,000	14.50	12.00	42,800	33,800	46,000	8.50	30,000	890265
	CA*F4860*6A*+EEP+TXV	46,000	34,000	14.00	12.00	42,800	33,800	46,000	8.50	29,000	1038368
	CA*F4860*6A*+MBE2000**-1+TXV	46,000	34,000	15.00	12.50	42,800	33,800	46,000	8.75	30,000	890449
	CA*F4860*6A*+MBR2000**-1+TXV	46,000	34,000	14.00	12.00	42,800	33,800	46,000	8.50	30,000	890119
	CA*F4860*6A*+TXV+G*V91155D**	46,000	34,000	14.50	12.00	42,800	33,800	46,000	8.50	30,000	890361
	CA*F4860*6A*+TXV+G*V951155D**	46,000	34,000	14.50	12.00	42,800	33,800	46,000	8.50	30,000	1031667
	CA*F4860*6A*+TXV+G*V950905D**	46,000	34,000	14.50	12.00	42,800	33,800	46,000	8.50	30,000	890126
	CHPF060D2*+G*V950905D**	46,000	34,000	14.50	12.00	42,800	33,800	46,000	8.50	30,000	890300
	CHPF4860D6A*+EEP+TXV	46,000	34,000	14.00	12.00	42,800	33,800	46,000	8.50	29,000	1046125
	CHPF4860D6A*+MBR2000**-1+TXV	46,000	34,000	14.50	12.00	42,800	33,800	46,000	8.50	30,000	890362
	CHPF4860D6A*+TXV+G*V951155D**	46,000	34,000	14.50	12.00	42,800	33,800	46,000	8.50	30,000	1031660
	CSCF4860N6A*+MBR2000**-1+TXV	46,000	34,000	14.50	12.00	42,800	33,800	46,000	8.50	30,000	1031647
	CSCF4860N6A*+TXV+G*V951155D**	46,000	34,000	14.50	12.00	42,800	33,800	46,000	8.50	30,000	890403
	CSCF4860N6A*+TXV+G*V950905D**	46,000	34,000	14.50	12.00	42,800	33,800	46,000	8.50	30,000	890133
	CSCF4860N6C*+MBR2000**-1+TXV	46,000	34,000	14.50	12.00	42,800	33,800	46,000	8.50	30,000	1296595
	CSCF4860N6C*+TXV+G*V950905D**	46,000	34,000	14.50	12.00	42,800	33,800	46,000	8.50	30,000	1296653
	CSCF4860N6C*+TXV+G*V951155D**	46,000	34,000	14.50	12.00	42,800	33,800	46,000	8.50	30,000	1296654
	H61F+G*V950905D**	46,000	34,000	14.50	12.00	42,800	33,800	46,000	8.80	30,000	890189
H61F+MBR2000**-1+TXV	46,000	34,000	14.50	12.00	42,800	33,800	46,000	8.50	30,000	890192	
H61F+TXV+G*V951155D**	46,000	34,000	14.50	12.00	42,800	33,800	46,000	8.50	30,000	890242	
H61F+TXV+G*V950905D**	46,000	34,000	14.50	12.00	42,800	33,800	46,000	8.50	30,000	890323	

¹ Seasonal Energy Efficiency Ratio; Certified per ARI 210/240 @ 80°F/ 67°F/ 95°F

² Energy Efficiency Ratio @ 80°F/ 67°F/ 95°F

³ TVA Rating: BTU/h @ 75°F/ 63°F - 95°F

⁴ HSPF = Heating Seasonal Performance Factor

Notes:

- Always check the S&R plate for electrical data on the unit being installed.
- When matching the outdoor unit to the indoor unit, use the piston supplied with the outdoor unit or that specified on the piston kit chart supplied with the indoor unit.
- EEP - Order from Service Dept. Part No. B13707-38 or new Solid State Board B13707-35S. Part No. B13707-38 is not interchangeable with B13707-35S. The Goodman Gas Furnace contains the EEP cooling time delay

PERFORMANCE RATINGS (CONT.)

Outdoor Unit	Indoor Units	Cooling Capacity (BTU/h)				TVA Ratings ³		Heating Capacity (BTU/h)			ARI #
		Total	Sens.	SEER ¹	EER ²	Total	Sens.	High	HSPF ⁴	Low	
GSH14 0601A*	AEPF426016A*+TXV	55,500	42,200	14.50	12.00	51,600	41,800	54,000	9.00	33,000	1031669
	AEPF426016B*+TXV	55,500	42,200	14.50	12.00	51,600	41,800	54,000	9.00	33,000	1277857
	AEPT060-00*-1*	55,500	42,200	14.50	12.00	51,600	41,800	54,000	9.00	33,000	890240
	ARPF486016A*+TXV	55,500	42,200	13.50	11.50	51,600	41,800	55,000	8.50	33,000	1186276
	ARPF48601A*+TXV	55,500	42,200	13.50	11.50	51,600	41,800	55,000	8.50	33,000	890395
	ARPT061-00*-1*+TXV	55,500	42,200	13.50	11.50	51,600	41,800	55,000	8.50	33,000	890406
	ARUF061-00*-1*+TXV	55,500	42,200	13.50	11.50	51,600	41,800	55,000	8.50	33,000	890148
	ARUF486016A*+TXV	55,500	42,200	13.50	11.50	51,600	41,800	55,000	8.50	33,000	1186277
	ARUF48601A*+TXV	55,500	42,200	13.50	11.50	51,600	41,800	55,000	8.50	33,000	890388
	ASPF426016A*+TXV	55,500	42,200	14.50	12.00	51,600	41,800	56,000	8.75	33,000	1288560
	CA*F061*2*+MBE2000**-1+TXV	55,500	42,200	15.00	12.50	51,600	41,800	54,000	9.00	33,000	890198
	CA*F061*2*+MBR2000**-1+TXV	55,500	42,200	14.00	12.00	51,600	41,800	55,000	8.50	33,000	890131
	CA*F061*2*+TXV+G*V81155C**	55,000	41,800	14.00	12.00	51,200	41,400	55,000	8.50	34,000	1032076
	CA*F061*2*+TXV+G*V951155D**	55,500	42,200	14.00	12.00	51,600	41,800	55,000	8.50	33,000	890344
	CA*F4860*6A*+EEP+TXV	55,000	41,800	14.00	12.00	51,200	41,400	55,000	8.50	34,000	1038365
	CA*F4860*6A*+MBE2000**-1+TXV	55,500	42,200	15.00	12.50	51,600	41,800	54,000	9.00	33,000	890336
	CA*F4860*6A*+MBR2000**-1+TXV	55,500	42,200	14.00	12.00	51,600	41,800	55,000	8.50	33,000	890334
	CA*F4860*6A*+TXV+G*V950905D**	55,500	42,200	14.00	12.00	51,600	41,800	55,000	8.50	33,000	890042
	CA*F4860*6A*+TXV+G*V951155D**	55,500	42,200	14.00	12.00	51,600	41,800	55,000	8.75	34,000	1032326
	CHPF060*2*+MBR2000**-1+TXV	55,500	42,200	14.00	12.50	51,600	41,800	54,000	8.50	33,000	890379
	CHPF060D2*+TXV+G*V951155D**	55,500	42,200	13.50	11.50	51,600	41,800	54,000	8.50	33,000	890073
	CHPF060D2*+TXV+G*V950905D**	55,500	42,200	13.50	11.50	51,600	41,800	54,000	8.50	33,000	890427
	CHPF4860*6A*+MBE2000**-1+TXV	55,500	42,200	15.00	12.00	51,600	41,800	55,000	8.50	33,000	890248
	CHPF4860D6A*+EEP+TXV	55,000	41,800	14.00	12.00	51,200	41,400	55,000	8.50	34,000	1046126
	CHPF4860D6A*+MBR2000**-1+TXV	55,000	41,800	14.00	12.00	51,200	41,400	55,000	8.50	34,000	1031773
	CHPF4860D6A*+TXV+G*V950905D**	55,500	42,200	13.50	11.50	51,600	41,800	54,000	8.50	33,000	890270
	CHPF4860D6A*+TXV+G*V951155D**	55,500	42,200	13.50	11.50	51,600	41,800	54,000	8.50	33,000	890368
	CSCF4860N6A*+MBR2000**-1+TXV	55,500	42,200	14.00	11.50	51,600	41,800	54,000	8.50	33,000	1031674
	CSCF4860N6A*+TXV+G*V951155D**	55,500	42,200	13.50	11.50	51,600	41,800	54,000	8.50	33,000	890164
	CSCF4860N6A*+TXV+G*V90905D**	55,500	42,200	13.50	11.50	51,600	41,800	54,000	8.50	33,000	890022
	CSCF4860N6C*+MBR2000**-1+TXV	55,500	42,200	14.00	11.50	51,600	41,800	54,000	8.50	33,000	1296596
	CSCF4860N6C*+TXV+G*V90905D**	55,500	42,200	13.50	11.50	51,600	41,800	54,000	8.50	33,000	1296655
CSCF4860N6C*+TXV+G*V951155D**	55,500	42,200	13.50	11.50	51,600	41,800	54,000	8.50	33,000	1296656	
H61F+MBR2000**-1+TXV	55,500	42,200	14.00	11.50	51,600	41,800	54,000	8.50	33,000	890380	
H61F+TXV+G*V90905D**	55,500	42,200	13.50	11.50	51,600	41,800	54,000	8.50	33,000	890142	
H61F+TXV+G*V951155D**	55,500	42,200	13.50	11.50	51,600	41,800	54,000	8.50	33,000	890352	

¹ Seasonal Energy Efficiency Ratio; Certified per ARI 210/240 @ 80°F/ 67°F/ 95°F

² Energy Efficiency Ratio @ 80°F/ 67°F/ 95°F

³ TVA Rating: BTU/h @ 75°F/ 63°F - 95°F

⁴ HSPF = Heating Seasonal Performance Factor

Notes:

- Always check the S&R plate for electrical data on the unit being installed.
- When matching the outdoor unit to the indoor unit, use the piston supplied with the outdoor unit or that specified on the piston kit chart supplied with the indoor unit.
- EEP - Order from Service Dept. Part No. B13707-38 or new Solid State Board B13707-35S. Part No. B13707-38 is not interchangeable with B13707-35S. The Goodman Gas Furnace contains the EEP cooling time delay

PRODUCT SPECIFICATIONS

ACCESSORIES

Model	Description	GSH14 018	GSH14 024	GSH14 030	GSH14 036	GSH14 042	GSH14 048	GSH14 060
ABK-20	Anchor Bracket Kit *	X	X	X	X	X	X	X
ASC-01	Anti-Short Cycle Kit	X	X	X	X	X	X	X
CSR-U-1	Hard-start Kit	X	X	X	X			
CSR-U-2	Hard-start Kit				X	X	X	X
CSR-U-3	Hard-start Kit						X	X
FSK01A ¹	Freeze Protection Kit	X	X	X	X	X	X	X
OT18-60A ²	Outdoor Thermostat	X	X	X	X	X	X	X
OY/EHR18-60	Emergency Heat Relay Kit	X	X	X	X	X	X	X
TX2N2 ³	TXV Kit	X						
TX3N2 ³	TXV Kit		X	X	X			
TX5N2 ³	TXV Kit					X	X	X

* Contains 20 brackets; four brackets needed to anchor unit to pad

¹ Installed on indoor coil

² Required for heat pump applications where ambient temperatures fall below 0 °F with 50% or higher relative humidity.

³ Field-installed, non-bleed, expansion valve kit



Air Conditioning & Heating

Goodman Manufacturing Company, L.P., reserves the right to discontinue, or change at any time, specifications or designs without notice or without incurring obligations.

*Copyright © 2007 • Goodman Manufacturing Company, L.P. • Houston, Texas
Printed in the USA.*