



Air Conditioning & Heating



COOLING CAPACITY: 18,000 — 56,000 BTU/H

PRODUCT SPECIFICATIONS



GSC14

14 SEER

HIGH-EFFICIENCY, 1½-TO 5-TON SPLIT SYSTEM AIR CONDITIONER



The Goodman® GSC14 14 SEER Air Conditioner features a high-efficiency scroll compressor for improved temperature and humidity control and the unique Goodman® sound control top design for quiet operation. In addition, the unit has an attractive louvered metal guard that protects the coil from damage plus a powder-paint finish that provides premium durability and improved UV protection.

Standard Features

- High-efficiency scroll compressor
- Factory-installed liquid line filter dryer
- 850-RPM condenser fan motor
- Copper tube/aluminum fin coil
- R-22 refrigerant charged for 15' of refrigerant line
- Brass liquid and suction line service valves
- Contactor with lug connection
- Ground lug connection
- ARI Listed; ETL Listed

Cabinet Features

- Unique Goodman® sound control top design
- Steel louver coil guard
- Heavy-gauge galvanized-steel cabinet
- Attractive Architectural Gray powder-paint finish with 500-hour salt-spray approval
- When properly anchored, meets the 2001 Florida Building Code unit integrity requirements for hurricane-type winds

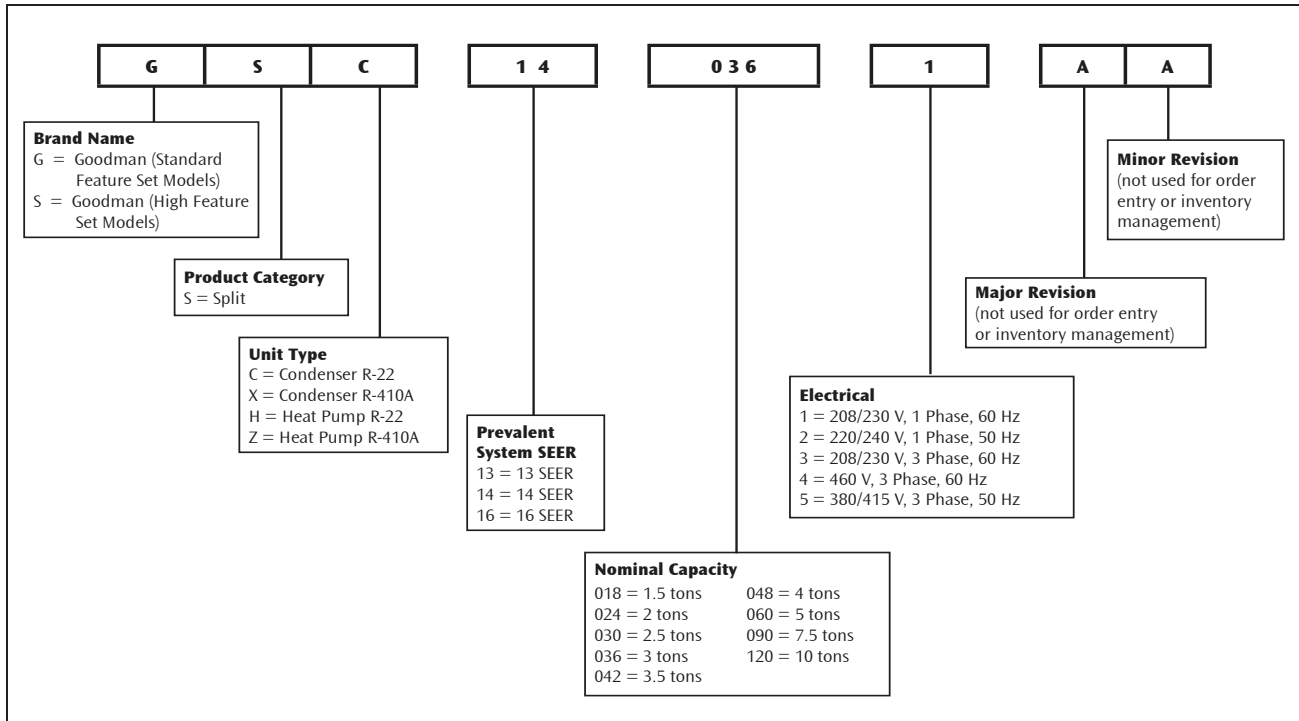
Accessories

- See a list of accessories on Page 16.



PRODUCT SPECIFICATIONS

NOMENCLATURE



SPECIFICATIONS

	GSC14 0181A*	GSC14 0241A*	GSC14 0301A*	GSC14 0361A*	GSC14 0421A*	GSC14 0481A*	GSC14 0601A*
Cooling Capacity							
Nominal Cooling (BTU/h)	18,000	24,000	28,800	34,600	40,000	46,000	56,000
Decibels	72	72	73	73	75	75	76
Compressor							
RLA	7.7	10.4	12.2	14.1	14.7	19.2	19.8
LRA	40.3	54.0	63.0	68.0	77.0	104.0	137.0
Condenser Fan Motor							
Horsepower (RPM)	1/12	1/12	1/6	1/4	1/4	1/4	1/4
FLA	0.60	0.60	1.10	1.50	1.50	1.50	1.50
Refrigeration System							
Refrigerant Line Size¹							
Liquid Line Size ("O.D.)	3/8"	3/8"	3/8"	3/8"	3/8"	3/8"	3/8"
Suction Line Size ("O.D.)	3/4"	3/4"	3/4"	7/8"	1 1/8"	1 1/8"	1 1/8"
Refrigerant Connection Size							
Liquid Valve Size ("O.D.)	3/8"	3/8"	3/8"	3/8"	3/8"	3/8"	3/8"
Suction Valve Size ("O.D.)	3/4"	3/4"	3/4"	7/8"	7/8"	7/8"	7/8"
Valve Connection Type	Sweat	Sweat	Sweat	Sweat	Sweat	Sweat	Sweat
Refrigerant Charge	130	135	140	155	180	195	255
Shipped with Orifice Size	0.053	0.061	0.067	0.074	0.078	0.084	0.096
Electrical Data							
Voltage-Hz / Phase	208/230-60-1			208/230-60-1			
Minimum Circuit Ampacity ²	10.2	13.7	16.3	19.1	19.9	25.5	26.3
Max. Overcurrent Protection ³	15	20	20	30	30	40	40
Min / Max Volts	197 / 253	197 / 253	197 / 253	197 / 253	197 / 253	197 / 253	197 / 253
Electrical Conduit Size	1/2" or 3/4"	1/2" or 3/4"	1/2" or 3/4"	1/2" or 3/4"	1/2" or 3/4"	1/2" or 3/4"	1/2" or 3/4"
Ship Weight (lbs)	178	178	195	199	242	242	280

¹ Tested and rated in accordance with ARI Standard 210/240

² Wire size should be determined in accordance with National Electrical Codes; extensive wire runs will require larger wire sizes

³ Must use time-delay fuses or HACR-type circuit breakers of the same size as noted.

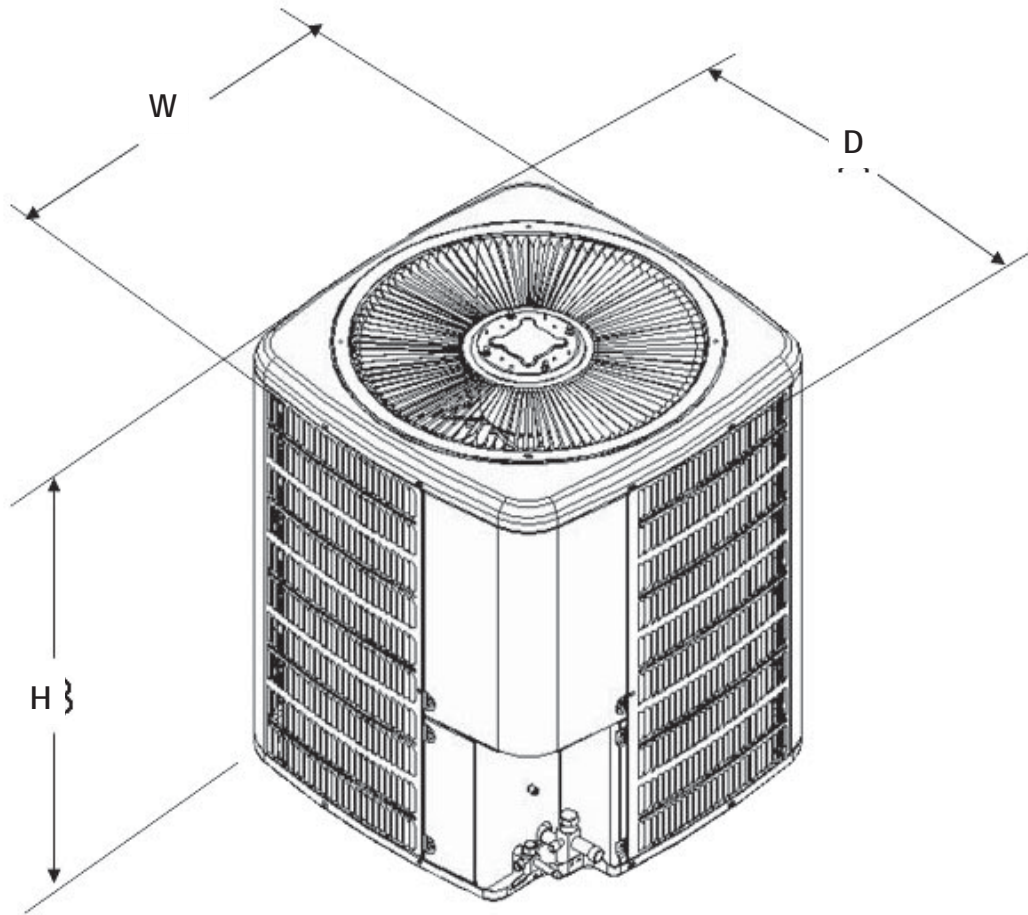
Notes

- Always check the S&R plate for electrical data on the unit being installed.
- Installer will need to supply 7/8" to 1 1/8" adapters for suction line connections.
- Unit is charged with refrigerant for 15' of 3/8" liquid line. System charge must be adjusted per Installation Instructions Final Charge Procedure.
- Installation of these units requires the specified TXV Kit to be installed on the indoor coil. THE SPECIFIED TXV IS DETERMINED BY THE OUTDOOR UNIT NOT THE INDOOR COIL.

Important EnergyStar Notice: Proper sizing and installation of equipment is critical to achieve optimal performance. Split system air conditioners and heat pumps must be matched with appropriate coil components to meet EnergyStar criteria. Ask your contractor for details or visit www.energystar.gov.

PRODUCT SPECIFICATIONS

DIMENSIONS



Model	Dimensions W x D x H
GSC140181A*	26" x 26" x 32 $\frac{1}{4}$ "
GSC140241A*	26" x 26" x 32 $\frac{1}{4}$ "
GSC140301A*	29" x 29" x 32 $\frac{1}{4}$ "
GSC140361A*	29" x 29" x 34 $\frac{1}{4}$ "
GSC140421A*	35 $\frac{1}{2}$ " x 35 $\frac{1}{2}$ " x 38 $\frac{1}{4}$ "
GSC140481A*	35 $\frac{1}{2}$ " x 35 $\frac{1}{2}$ " x 38 $\frac{1}{4}$ "
GSC140601A*	35 $\frac{1}{2}$ " x 35 $\frac{1}{2}$ " x 38 $\frac{1}{4}$ "

PERFORMANCE RATINGS

Outdoor Unit	Indoor Units		Cooling Capacities				ARI #
	Indoor Coil	Furnace/ Blower	Total	Sensible	SEER ¹	EER ²	
GSC14 0181A*	ADPF304216A*+TXV		18,000	12,800	14.00	12.00	1032956
	AEPF183016A*+TXV		18,000	12,800	15.00	12.50	1247516
	AEPF183016B*+TXV		18,000	12,800	15.00	12.50	1277821
	AEPF18301A*+TXV		18,000	12,800	15.00	12.50	890149
	AEPT030-00*-1*		18,000	12,800	15.00	12.50	890329
	ARPF193116A*+TXV		18,000	12,800	14.00	12.00	1038348
	ARUF193116A*+TXV		18,000	12,800	14.00	12.00	1038347
	ASPF183016A*+TXV		18,000	12,800	15.00	12.50	1282742
	CA*F042*2*+BDK+TXV		18,000	12,800	14.00	12.00	890204
	CA*F042*2*+TXV	MBE1200**-1	18,000	12,800	15.00	12.50	890235
	CA*F042*2*+TXV	MBR0800**-1	18,000	12,800	14.00	12.00	890410
	CA*F042*2*+TXV	G*V80704B**	18,400	13,100	15.00	12.50	890152
	CA*F042*2*+TXV	G*V950453B**	18,400	13,100	15.00	12.50	890238
	CA*F042*2*+TXV	G*V950704C**	18,400	13,100	15.00	12.50	890453
	CA*F3131*6A*+EEP+TXV		18,000	12,800	14.00	12.00	893748
	CA*F3131*6A*+TXV	MBE1200**-1	18,400	13,100	15.00	12.50	890452
	CA*F3131*6A*+TXV	MBR0800**-1	18,000	12,800	15.00	12.50	890306
	CA*F3131*6A*+TXV	G*E80704B**	18,400	13,100	15.00	12.50	1259602
	CA*F3131*6A*+TXV	G*V80704B**	18,400	13,100	15.00	12.50	890376
	CA*F3131*6A*+TXV	G*V950453B**	18,400	13,100	15.00	12.50	890461
	CA*F3131*6A*+TXV	G*V950704C**	18,000	12,800	15.00	12.50	1289735
	CA*F3131*6B*+EEP+TXV		18,000	12,800	14.00	12.00	1346573
	CA*F3131*6B*+TXV	MBE1200**-1	18,400	13,100	15.00	12.50	1346574
	CA*F3131*6B*+TXV	MBR0800**-1	18,000	12,800	15.00	12.50	1346575
	CA*F3131*6B*+TXV	G*E80704B**	18,400	13,100	15.00	12.50	1346578
	CA*F3131*6B*+TXV	G*V80704B**	18,400	13,100	15.00	12.50	1346579
	CA*F3131*6B*+TXV	G*V950453B**	18,400	13,100	15.00	12.50	1346580
	CA*F3131*6B*+TXV	G*V950704C**	18,000	12,800	15.00	12.50	1346581
	CHPF042B2*+EEP+TXV		18,000	12,800	14.00	12.00	890433
	CHPF042B2*+TXV	MBE1200**-1	18,000	12,800	15.00	12.00	890068
	CHPF042B2*+TXV	G*V80704B**	18,000	12,800	15.00	12.50	890282
	CHPF042B2*+TXV	G*V950453B**	18,000	12,800	15.00	12.50	890436
	CHPF042B2*+TXV	G*V950704C**	18,000	12,800	15.00	12.50	890251
	CHPF2430B6A*+EEP+TXV		18,000	12,800	14.00	12.00	890292
	CHPF2430B6A*+TXV	MBE1200**-1	18,000	12,800	15.00	12.00	890396
	CHPF2430B6A*+TXV	MBR0800**-1	18,000	12,800	14.00	12.00	890056
	CHPF2430B6A*+TXV	G*E80704B**	18,000	12,800	15.00	12.50	1259603
	CHPF2430B6A*+TXV	G*V80704B**	18,000	12,800	15.00	12.50	890081
	CHPF2430B6A*+TXV	G*V905704C**	18,000	12,800	15.00	12.50	890213
	CHPF2430B6A*+TXV	G*V950453B**	18,000	12,800	15.00	12.50	890176
	CHPF2430B6B*+EEP+TXV		18,000	12,800	14.00	12.00	1330653
	CHPF2430B6B*+TXV	MBE1200**-1A*	18,000	12,800	15.00	12.00	1330612
	CHPF2430B6B*+TXV	MBR0800**-1A*	18,000	12,800	14.00	12.00	1330613
	CHPF2430B6B*+TXV	G*V80704B**	18,000	12,800	15.00	12.50	1330614
	CHPF2430B6B*+TXV	G*V905704C**	18,000	12,800	15.00	12.50	1330615
	CHPF2430B6B*+TXV	G*V950453B**	18,000	12,800	15.00	12.50	1330616
	CSCF3036N6A*+EEP+TXV		18,000	12,800	14.00	12.00	890261

¹ Seasonal Energy Efficiency Ratio; Certified per ARI 210/240 @ 80°F/ 67°F/ 95°F

² Energy Efficiency Ratio @ 80 °F/67 °F Inside - 95 °F See Notes on Page 7.

PRODUCT SPECIFICATIONS

PERFORMANCE RATINGS (CONT.)

Outdoor Unit	Indoor Units		Cooling Capacities				ARI #
	Indoor Coil	Furnace/ Blower	Total	Sensible	SEER ¹	EER ²	
GSC14 0181A* (cont.)	CSCF3036N6A*+TXV	MBR0800**-1	18,000	12,800	14.00	12.00	890097
	CSCF3036N6A*+TXV	G*E80704B**	18,400	13,100	15.00	12.50	1259604
	CSCF3036N6A*+TXV	G*V80704B**	18,400	13,100	15.00	12.50	890284
	CSCF3036N6A*+TXV	G*V950453B**	18,400	13,100	15.00	12.50	890069
	CSCF3036N6A*+TXV	G*V950704C**	18,400	13,100	15.00	12.50	890425
	CSCF3036N6B*+EEP+TXV		18,000	12,800	14.00	12.00	1296777
	CSCF3036N6B*+TXV	MBR0800**-1	18,000	12,800	14.00	12.00	1296850
	CSCF3036N6B*+TXV	G*E80704B**	18,400	13,100	15.00	12.50	1296778
	CSCF3036N6B*+TXV	G*V80704B**	18,400	13,100	15.00	12.50	1296779
	CSCF3036N6B*+TXV	G*V950453B**	18,400	13,100	15.00	12.50	1296780
	CSCF3036N6B*+TXV	G*V950704C**	18,400	13,100	15.00	12.50	1296781
	H49F+EEP+TXV		18,000	12,800	14.00	12.00	890417
	H49F+TXV	MBR0800**-1	18,000	12,800	14.00	12.00	890428
	H49F+TXV	G*V80704B**	18,400	13,100	15.00	12.50	890331
	H49F+TXV	G*V950704C**	18,400	13,100	15.00	12.50	890039
	H49F+TXV	G*V950905D**	18,400	13,100	15.00	12.50	890407
GSC14 0241A*	AEPF183016A*		24,000	17,500	15.00	12.50	1032957
	AEPF183016B*		24,000	17,500	15.00	12.50	1277822
	AEPF303616A*		24,000	17,500	15.00	12.50	1032958
	AEPF303616B*		24,000	17,500	15.00	12.50	1277823
	AEPT030-00*-1*		24,000	17,500	15.00	12.50	893770
	AEPT036-00*-1*		24,000	17,500	15.00	12.50	890139
	ARPF193116A*		24,000	17,500	14.00	12.00	1038346
	ARUF193116A*		24,000	17,500	14.00	12.00	1038345
	ASPF183016A*		24,000	17,500	15.00	12.50	1293246
	ASPF303616A*		24,000	17,500	15.00	12.50	1282743
	CA*F048*2*	G*V80704B**	23,600	17,200	14.50	12.20	890217
	CA*F048*2*	G*V80905C**	23,600	17,200	15.00	12.50	890356
	CA*F048*2*	G*V81155C**	23,600	17,200	15.00	12.50	1008572
	CA*F048*2*	G*V950453B**	23,600	17,200	14.50	12.20	890030
	CA*F048*2*	G*V950704C**	23,600	17,200	15.00	12.50	890220
	CA*F048*2*+EEP		24,000	17,500	14.00	12.00	890138
	CA*F048*2*	MBE1200**-1	24,000	17,500	15.00	12.50	890028
	CA*F048*2*	MBR0800**-1	24,000	17,500	14.00	12.00	890225
	CA*F1824*6A*+EEP		22,000	16,100	13.00	11.50	1277925
	CA*F1824*6B*+EEP		22,000	16,100	13.00	11.50	1347078
	CA*F3636*6A*	G*E80704B**	23,600	17,200	15.00	12.50	1273376
	CA*F3636*6A*	G*V80704B**	23,600	17,200	14.50	12.20	890272
	CA*F3636*6A*	G*V950453B**	23,600	17,200	14.50	12.20	890102
	CA*F3636*6A*	G*V950704C**	23,600	17,200	14.50	12.20	890147
	CA*F3636*6A*+EEP		24,000	17,500	14.00	12.00	890080
	CA*F3636*6A*	MBE1200**-1	24,000	17,500	15.00	12.50	890415
	CA*F3636*6A*	MBR0800**-1	24,000	17,500	14.00	12.00	890048
	CA*F3636*6B*	G*E80704B**	23,600	17,200	15.00	12.50	1347083
	CA*F3636*6B*	G*V80704B**	23,600	17,200	14.50	12.20	1347084
	CA*F3636*6B*	G*V950453B**	23,600	17,200	14.50	12.20	1347085
	CA*F3636*6B*	G*V950704C**	23,600	17,200	14.50	12.20	1347086
	CA*F3636*6B*+EEP		24,000	17,500	14.00	12.00	1347087

PERFORMANCE RATINGS (CONT.)

Outdoor Unit	Indoor Units		Cooling Capacities				ARI #
	Indoor Coil	Furnace/ Blower	Total	Sensible	SEER ¹	EER ²	
GSC140 241A* (cont.)	CA*F3636*6B*	MBE1200**-1	24,000	17,500	15.00	12.50	1346582
	CA*F3636*6B*	MBR0800**-1	24,000	17,500	14.00	12.00	1347169
	CA*F3642*6A*	G*V80704B**	23,800	17,400	15.00	12.50	1277926
	CA*F3642*6A*	G*V81155C**	23,600	17,200	15.00	12.50	1008541
	CA*F3642*6A*	G*V950704C**	23,600	17,200	15.00	12.50	890365
	CA*F3642*6A*	G*V950905D**	23,600	17,200	15.00	13.00	1126486
	CA*F3642*6A*+EEP		23,800	17,400	14.00	12.00	1277927
	CA*F3642*6B*	G*V80704B**	23,800	17,400	15.00	12.50	1347088
	CA*F3642*6B*	G*V81155C**	23,600	17,200	15.00	12.50	1347089
	CA*F3642*6B*	G*V950704C**	23,600	17,200	15.00	12.50	1347090
	CA*F3642*6B*	G*V950905D**	23,600	17,200	15.00	13.00	1347091
	CA*F3642*6B*+EEP		23,800	17,400	14.00	12.00	1347092
	CHPF048C2*	G*V80704B**	23,600	17,200	14.50	12.20	1008546
	CHPF048C2*	G*V950453B**	23,600	17,200	14.50	12.20	1008565
	CHPF048C2*	G*V950704C**	23,600	17,200	14.50	12.20	1008563
	CHPF3636*6A*+EEP		24,000	17,500	14.00	12.00	890232
	CHPF3636*6A*	MBE1200**-1	24,000	17,500	15.00	12.50	890460
	CHPF3636*6A*	MBR0800**-1	24,000	17,500	14.00	12.00	890286
	CHPF3636B6A*	G*E80704B**	23,600	17,200	15.00	12.50	1273377
	CHPF3636B6A*	G*V80704B**	23,600	17,200	14.50	12.20	890183
	CHPF3636B6A*	G*V950453B**	23,600	17,200	14.50	12.20	890071
	CHPF3636B6A*	G*V950704C**	23,600	17,200	14.50	12.20	890390
	CHPF3636B6B*	G*E80704B**	23,600	17,200	15.00	12.50	1330490
	CHPF3636B6B*	G*V80704B**	23,600	17,200	14.50	12.20	1330491
	CHPF3636B6B*	G*V950453B**	23,600	17,200	14.50	12.20	1330492
	CHPF3636B6B*	G*V950704C**	23,600	17,200	14.50	12.20	1330493
	CHPF3636B6B*+EEP		24,000	17,500	14.00	12.00	1330617
	CHPF3636B6B*	MBE1200**-1A*	24,000	17,500	15.00	12.50	1330488
	CHPF3636B6B*	MBR0800**-1A*	24,000	17,500	14.00	12.00	1330489
	CHPF3642*6A*	G*V950704C**	24,000	17,500	15.00	13.00	1051632
	CHPF3642*6A*		24,000	17,500	14.00	12.00	1046111
	CHPF3642C6A*	G*V80905C**	23,000	16,800	15.00	12.50	890259
	CHPF3642C6A*		24,000	17,500	14.00	12.00	1031770
	CHPF3642C6B*	G*V80905C**	23,000	16,800	15.00	12.50	1330494
	CHPF3642C6B*	G*V950704C**	24,000	17,500	15.00	13.00	1330676
	CHPF3642C6B*+EEP		24,000	17,500	14.00	12.00	1330677
	CHPX042B2*+EEP		23,800	17,400	14.00	12.00	1277928
	CSCF3036N6A*	G*E80704B**	23,600	17,200	15.00	12.50	1273378
	CSCF3036N6A*	G*V80704B**	23,600	17,200	14.50	12.20	890168
	CSCF3036N6A*	G*V80905C**	23,600	17,200	15.00	12.50	890393
CSCF3036N6A*	G*V81155C**	23,600	17,200	15.00	12.50	1008568	

¹ Seasonal Energy Efficiency Ratio; Certified per ARI 210/240 @ 80°F/ 67°F/ 95°F

² Energy Efficiency Ratio @ 80 °F/67 °F Inside - 95 °F

Notes:

- Always check the S&R plate for electrical data on the unit being installed.
- When matching the outdoor unit to the indoor unit, use the piston supplied with the outdoor unit or what is specified on the piston kit chart supplied with the indoor unit.
- EEP - Order from Service Dept. Part No. B13707-38 or new Solid State Board B13707-35S. Part No. B13707-38 is not interchangeable with B13707-35S. The Goodman Gas Furnace contains the EEP cooling time delay.

PRODUCT SPECIFICATIONS

PERFORMANCE RATINGS (CONT.)

Outdoor Unit	Indoor Units		Cooling Capacities				ARI #
	Indoor Coil	Furnace/ Blower	Total	Sensible	SEER ¹	EER ²	
GSC14 0241A* (cont.)	CSCF3036N6A*	G*V950453B**	23,600	17,200	14.50	12.20	890291
	CSCF3036N6A*	G*V950704C**	23,600	17,200	14.50	12.20	890095
	CSCF3036N6A*+EEP		23,600	17,200	14.00	12.00	890359
	CSCF3036N6A*	MBR0800**-1	23,600	17,200	14.00	12.00	890118
	CSCF3036N6B*	G*E80704B**	23,600	17,200	15.00	12.50	1296782
	CSCF3036N6B*	G*V80704B**	23,600	17,200	14.50	12.20	1296783
	CSCF3036N6B*	G*V80905C**	23,600	17,200	15.00	12.50	1296784
	CSCF3036N6B*	G*V81155C**	23,600	17,200	15.00	12.50	1296785
	CSCF3036N6B*	G*V950453B**	23,600	17,200	14.50	12.20	1296786
	CSCF3036N6B*	G*V950704C**	23,600	17,200	14.50	12.20	1296787
	CSCF3036N6B*+EEP		23,600	17,200	14.00	12.00	1296788
	CSCF3036N6B*	MBR0800**-1	23,600	17,200	14.00	12.00	1296680
	H49F	G*V80704B**	23,600	17,200	14.50	12.20	890441
	H49F	G*V80905C**	23,600	17,200	15.00	12.50	890354
	H49F	G*V81155C**	23,600	17,200	15.00	12.50	1008569
	H49F	G*V950453B**	23,600	17,200	14.50	12.20	890326
	H49F+EEP		23,600	17,200	14.00	12.20	890143
	H49F	MBR0800**-1	23,600	17,200	14.00	12.20	890027
GSC14 0301A*	AEPF303616A*		28,800	21,600	15.00	12.00	1032959
	AEPF303616B*		28,800	21,600	15.00	12.00	1277824
	AEPF30361A*		28,800	21,600	15.00	12.00	890307
	AEPT036-00*-1*		28,800	21,600	15.00	12.00	893764
	AR*F363616A*		28,000	21,000	13.50	11.80	1273403
	ARPF193116A*		28,800	21,600	14.00	12.00	1038354
	ARUF193116A*		28,800	21,600	14.00	12.00	1038353
	ASPF303616A*		28,800	21,600	15.00	12.50	1282736
	ASPF426016A*		28,800	21,600	15.00	12.00	1293247
	CA*F048*2*	MBE1200**-1	28,800	21,600	15.00	12.50	890370
	CA*F060*2*	G*V80905C**	28,800	21,600	15.00	12.50	890151
	CA*F060*2*	G*V81155C**	28,800	21,600	15.00	12.50	890295
	CA*F060*2*	G*V950704C**	28,800	21,600	15.00	12.50	890247
	CA*F060*2*		28,800	21,600	14.00	12.00	1046116
	CA*F060*2*	MBR1600**-1	28,800	21,600	14.00	12.00	890169
	CA*F3030*6A*+EEP+TXV		27,000	20,300	13.50	11.50	1126488
	CA*F3030*6B*+EEP+TXV		27,000	20,300	13.50	11.50	1347174
	CA*F3636*6A*		28,800	21,600	14.00	12.00	1037552
	CA*F3636*6A*	MBE1200**-1	28,800	21,600	15.00	12.50	890271
	CA*F3636*6B*+EEP		28,800	21,600	14.00	12.00	1347093
	CA*F3636*6B*	MBE1200**-1	28,800	21,600	15.00	12.50	1346583
	CA*F3642*6A*	G*V80805C**	28,800	21,600	15.00	12.50	890254
	CA*F3642*6A*	G*V81155C**	28,800	21,600	15.00	12.50	890032
	CA*F3642*6A*	G*V950453B**	28,800	21,600	14.50	12.30	1277930
	CA*F3642*6A*	G*V950704C**	28,800	21,600	15.00	12.50	890399
	CA*F3642*6A*	G*V950905D**	28,800	21,600	15.00	12.50	1032053
	CA*F3642*6A*	G*V951155D**	29,000	21,800	15.00	12.50	1293899
	CA*F3642*6A*+EEP		28,800	21,600	14.00	12.00	890141
CA*F3642*6A*	MBR1600**-1	28,800	21,600	14.00	12.00	890082	
CA*F3642*6A*+TXV	G*E80905C**	28,800	21,600	15.00	12.50	1260517	

PERFORMANCE RATINGS (CONT.)

Outdoor Unit	Indoor Units		Cooling Capacities				ARI #
	Indoor Coil	Furnace/ Blower	Total	Sensible	SEER ¹	EER ²	
GSC14 0301A* (cont.)	CA*F3642*6B*	G*V80805C**	28,800	21,600	15.00	12.50	1347097
	CA*F3642*6B*	G*V81155C**	28,800	21,600	15.00	12.50	1347098
	CA*F3642*6B*	G*V950453B**	28,800	21,600	14.50	12.30	1347099
	CA*F3642*6B*	G*V950704C**	28,800	21,600	15.00	12.50	1347100
	CA*F3642*6B*	G*V950905D**	28,800	21,600	15.00	12.50	1347101
	CA*F3642*6B*	G*V951155D**	29,000	21,800	15.00	12.50	1347102
	CA*F3642*6B*+EEP		28,800	21,600	14.00	12.00	1347103
	CA*F3642*6B*	MBR1600**-1	28,800	21,600	14.00	12.00	1347170
	CA*F3642*6B*+TXV	G*E80905C**	28,800	21,600	15.00	12.50	1346584
	CA*F4860*6A*+EEP		29,000	21,800	14.00	12.00	1126651
	CA*F4860*6A*+TXV	G*E81155C**	28,800	21,600	15.00	12.50	1260040
	CA*F4860*6B*+EEP		29,000	21,800	14.00	12.00	1347104
	CA*F4860*6B*+TXV	G*E81155C**	28,800	21,600	15.00	12.50	1347105
	CHPF048*2*	G*V950704C**	28,800	21,600	15.00	12.50	890353
	CHPF048*2*+EEP		28,800	21,600	14.00	12.00	890363
	CHPF048*2*	MBE1600**-1	28,800	21,600	15.00	12.50	890078
	CHPF048*2*	MBR1600**-1	28,800	21,600	14.00	12.00	890075
	CHPF3636B6A*	G*V950453B**	28,800	21,600	15.00	12.50	1008579
	CHPF3636B6A*	MBE1200**-1	28,800	21,600	15.00	12.50	890091
	CHPF3636B6B*	G*V950453B**	28,800	21,600	15.00	12.50	1330495
	CHPF3636B6B*	MBE1200**-1A*	28,800	21,600	15.00	12.50	1330496
	CHPF3642*6A*	G*V80905C**	28,800	21,600	15.00	12.50	890269
	CHPF3642*6A*	G*V950704C**	28,800	21,600	15.00	12.50	890301
	CHPF3642*6A*	G*V950905D**	28,800	21,600	15.00	12.50	1046114
	CHPF3642*6A*+EEP		28,800	21,600	14.00	12.00	890050
	CHPF3642*6A*	MBR1600**-1	28,800	21,600	14.00	12.00	890293
	CHPF3642C6A*	G*V81155C**	28,800	21,600	15.00	12.50	1008567
	CHPF3642C6B*	G*V80905C**	28,800	21,600	15.00	12.50	1330497
	CHPF3642C6B*	G*V81155C**	28,800	21,600	15.00	12.50	1330501
	CHPF3642C6B*	G*V950704C**	28,800	21,600	15.00	12.50	1330498
	CHPF3642C6B*+EEP		28,800	21,600	14.00	12.00	1330618
	CHPF3642C6B*	MBR1600**-1A*	28,800	21,600	14.00	12.00	1330500
	CHPF3642D6A*	G*V950905D**	28,800	21,600	15.00	12.50	1032054
	CHPF3642D6B*	G*V950905D**	28,800	21,600	15.00	12.50	1330499
	CHPF4860*6A*+TXV	G*E81155C**	28,800	21,600	15.00	12.50	1260044
	CHPF4860D6A*+EEP		28,800	21,600	14.00	12.00	1048650
	CHPF4860D6A*+TXV	G*E80905C**	28,800	21,600	15.00	12.50	1260518
	CHPF4860D6C*+EEP		28,800	21,600	14.00	12.00	1330678
	CHPF4860D6C*+TXV	G*E80905C**	28,800	21,600	15.00	12.50	1347570
	CHPF4860D6C*+TXV	G*E81155C**	28,800	21,600	15.00	12.50	1347555
	CSCF3642N6A*	G*V80905C**	28,800	21,600	15.00	12.50	890182
	CSCF3642N6A*	G*V81155C**	28,800	21,600	15.00	12.50	890231
CSCF3642N6A*	G*V950704C**	28,800	21,600	15.00	12.50	890092	
CSCF3642N6A*		28,800	21,600	14.00	12.00	1046115	
CSCF3642N6A*	MBR1600**-1	28,800	21,600	14.00	12.00	890243	
CSCF3642N6A*+TXV	G*E80905C**	28,800	21,600	15.00	12.50	1260519	
CSCF3642N6C*	G*V80905C**	28,800	21,600	15.00	12.50	1296681	

¹ Seasonal Energy Efficiency Ratio; Certified per ARI 210/240 @ 80°F/ 67°F/ 95°F

² Energy Efficiency Ratio @ 80 °F/67 °F Inside - 95 °F See Notes on Page 7.

PRODUCT SPECIFICATIONS

PERFORMANCE RATINGS (CONT.)

Outdoor Unit	Indoor Units		Cooling Capacities				ARI #
	Indoor Coil	Furnace/ Blower	Total	Sensible	SEER ¹	EER ²	
GSC14 0301A* (cont.)	CSCF3642N6C*	G*V81155C**	28,800	21,600	15.00	12.50	1296682
	CSCF3642N6C*	G*V950704C**	28,800	21,600	15.00	12.50	1296683
	CSCF3642N6C*+EEP		28,800	21,600	14.00	12.00	1296684
	CSCF3642N6C*	MBR1600**-1	28,800	21,600	14.00	12.00	1296851
	CSCF3642N6C*+TXV	G*E80905C**	28,800	21,600	15.00	12.50	1296685
	CSCF4860N6A*+TXV	G*E81155C**	28,800	21,600	15.00	12.50	1260051
	CSCF4860N6C*+TXV	G*E81155C**	28,800	21,600	15.00	12.50	1296789
	H60F	G*V80905C**	28,800	21,600	15.00	12.50	890430
	H60F	G*V81155C**	28,800	21,600	15.00	12.50	890443
	H60F	G*V950704C**	28,800	21,600	15.00	12.50	890351
	H60F+EEP		28,800	21,600	14.00	12.00	890160
	H60F+MBR1600**-1		28,800	21,600	14.00	12.00	890371
	GSC14 0361A*	AEPF426016A*		34,600	25,600	15.00	12.50
AEPF426016B*			34,600	25,600	15.00	12.50	1277825
AEPT060-00*-1*			34,600	25,600	15.00	12.50	890103
AR*F363616A*			33,000	24,400	13.50	11.80	1273404
ARPF374316A*			34,600	25,600	14.00	12.00	1046118
ARUF374316A*			34,600	25,600	14.00	12.00	1032056
ASPF426016A*			34,600	25,600	15.00	12.50	1282737
CA*F061*2*		G*V80905C**	34,600	25,600	14.50	12.20	890432
CA*F061*2*		G*V81155C**	34,600	25,600	14.50	12.20	890345
CA*F061*2*		G*V950704C**	34,600	25,600	14.50	12.20	890416
CA*F061*2*		G*V950905D**	34,600	25,600	14.50	12.20	890299
CA*F061*2*		G*V951155D**	34,600	25,600	14.50	12.20	890296
CA*F061*2*+EEP			34,000	25,200	14.00	12.00	890170
CA*F061*2*		MBE1600**-1	35,000	25,900	14.50	12.20	890099
CA*F3030*6A*+EEP+TXV			32,800	24,300	13.00	11.20	1126489
CA*F3030*6B*+EEP+TXV			32,800	24,300	13.00	11.20	1347175
CA*F3636*6A*+EEP+TXV			31,000	22,900	13.50	11.80	1293913
CA*F3636*6B*+EEP+TXV			31,000	22,900	13.50	11.80	1346585
CA*F3642*6A*+EEP			34,000	25,200	14.00	12.00	1046117
CA*F3642*6B*+EEP			34,000	25,200	14.00	12.00	1347106
CA*F4860*6A*		G*V80905C**	34,600	25,600	14.50	12.20	890172
CA*F4860*6A*		G*V81155C**	34,600	25,600	14.50	12.20	890215
CA*F4860*6A*		G*V90704C**	34,600	25,600	14.50	12.00	1083281
CA*F4860*6A*		G*V91155D**	34,600	25,600	15.00	12.50	1046119
CA*F4860*6A*		G*V950704C**	34,600	25,600	14.50	12.20	890067
CA*F4860*6A*		G*V950905D**	34,600	25,600	15.00	12.50	890273
CA*F4860*6A*		G*V951155D**	34,600	25,600	15.00	12.50	1032051
CA*F4860*6A*+EEP			34,000	25,200	14.00	12.00	890023
CA*F4860*6A*		MBE1600**-1	35,000	25,900	14.50	12.20	1033108
CA*F4860*6A*+TXV		G*E80905C**	34,600	25,600	14.50	12.20	1273382
CA*F4860*6A*+TXV		G*V90704C**	34,600	25,600	14.50	12.50	1126490
CA*F4860*6B*		G*V80905C**	34,600	25,600	14.50	12.20	1346589
CA*F4860*6B*		G*V81155C**	34,600	25,600	14.50	12.20	1346590
CA*F4860*6B*		G*V90704C**	34,600	25,600	14.50	12.00	1346591
CA*F4860*6B*	G*V91155D**	34,600	25,600	15.00	12.50	1346592	
CA*F4860*6B*	G*V950704C**	34,600	25,600	14.50	12.20	1346593	

PERFORMANCE RATINGS (CONT.)

Outdoor Unit	Indoor Units		Cooling Capacities				ARI #
	Indoor Coil	Furnace/ Blower	Total	Sensible	SEER ¹	EER ²	
GSC14 0361A* (cont.)	CA*F4860*6B*	G*V950905D**	34,600	25,600	15.00	12.50	1346594
	CA*F4860*6B*	G*V951155D**	34,600	25,600	15.00	12.50	1346595
	CA*F4860*6B*+EEP		34,000	25,200	14.00	12.00	1347107
	CA*F4860*6B*	MBE1600**-1	35,000	25,900	14.50	12.20	1346596
	CA*F4860*6B*+TXV	G*E80905C**	34,600	25,600	14.50	12.20	1347109
	CA*F4860*6B*+TXV	G*V90704C**	34,600	25,600	14.50	12.50	1347110
	CHPF048D2*	G*V81155C**	34,600	25,600	14.50	12.20	890357
	CHPF048D2*	G*V950905D**	34,600	25,600	15.00	12.20	1008570
	CHPF048D2*	G*V951155D**	34,600	25,600	15.00	12.20	1008578
	CHPF048D2*+EEP		35,000	25,900	14.00	12.00	890392
	CHPF048D2*	MBE2000**-1	35,000	25,900	15.00	12.50	890121
	CHPF3642*6A*	G*V80905C**	34,600	25,600	14.50	12.20	890358
	CHPF3642*6A*	G*V81155C**	34,600	25,600	14.50	12.20	890114
	CHPF3642*6A*	G*V950704C**	34,600	25,600	14.50	12.20	890200
	CHPF3642*6A*	G*V951155D**	34,600	25,600	15.00	12.20	890378
	CHPF3642*6A*+TXV	G*E80905C**	34,600	25,600	14.50	12.20	1273383
	CHPF3642C6B*	G*V80905C**	34,600	25,600	14.50	12.20	1330502
	CHPF3642C6B*	G*V81155C**	34,600	25,600	14.50	12.20	1330503
	CHPF3642C6B*	G*V950704C**	34,600	25,600	14.50	12.20	1330504
	CHPF3642C6B*+TXV	G*E80905C**	34,600	25,600	14.50	12.20	1347550
	CHPF3642D6A*+EEP		35,000	25,900	14.00	12.00	890412
	CHPF3642D6A*	MBE2000**-1	35,000	25,900	14.00	12.50	890150
	CHPF3642D6B*	G*V951155D**	34,600	25,600	15.00	12.20	1330505
	CHPF3642D6B*+EEP		35,000	25,900	14.00	12.00	1330619
	CHPF3642D6B*	MBE2000**-1A*	35,000	25,900	14.00	12.50	1330507
	CHPF4860D6A*+EEP		34,600	25,600	14.00	12.00	1048651
	CHPF4860D6C*+EEP		34,600	25,600	14.00	12.00	1330679
	CSCF3642N6A*+EEP		35,000	25,900	14.00	12.00	890046
	CSCF3642N6C*+EEP		35,000	25,900	14.00	12.00	1296686
	CSCF4860N6A*	G*V80905C**	34,600	25,600	14.50	12.20	1008571
	CSCF4860N6A*	G*V81155C**	34,600	25,600	14.50	12.20	890256
	CSCF4860N6A*	G*V950704C**	34,600	25,600	14.50	12.20	890263
	CSCF4860N6A*	G*V950905D**	34,600	25,600	14.50	12.20	890237
	CSCF4860N6A*	G*V951155D**	34,600	25,600	14.50	12.20	890193
	CSCF4860N6A*+TXV	G*E80905C**	34,600	25,600	14.50	12.20	1273384
	CSCF4860N6C*	G*V80905C**	34,600	25,600	14.50	12.20	1296790
	CSCF4860N6C*	G*V81155C**	34,600	25,600	14.50	12.20	1296791
	CSCF4860N6C*	G*V950704C**	34,600	25,600	14.50	12.20	1296792
	CSCF4860N6C*	G*V950905D**	34,600	25,600	14.50	12.20	1296793
	CSCF4860N6C*	G*V951155D**	34,600	25,600	14.50	12.20	1296794
	CSCF4860N6C*+TXV	G*E80905C**	34,600	25,600	14.50	12.20	1296795
	H61F	G*V80905C**	34,600	25,600	14.50	12.20	1008543
H61F	G*V81155C**	34,600	25,600	14.50	12.20	890310	
H61F	G*V950704C**	34,600	25,600	14.50	12.20	890161	
H61F	G*V950905D**	34,600	25,600	14.50	12.20	890173	
H61F	G*V951155D**	34,600	25,600	14.50	12.20	890462	
H61F+EEP		35,000	25,900	14.00	12.00	890064	

¹ Seasonal Energy Efficiency Ratio; Certified per ARI 210/240 @ 80°F/ 67°F/ 95°F

² Energy Efficiency Ratio @ 80 °F/67 °F Inside - 95 °F

See **Notes** on either pages 7 or 15.

PRODUCT SPECIFICATIONS

PERFORMANCE RATINGS (CONT.)

Outdoor Unit	Indoor Units		Cooling Capacities				ARI #
	Indoor Coil	Furnace/ Blower	Total	Sensible	SEER ¹	EER ²	
GSC14 0421A*	AEPF426016A*		40,000	29,200	15.00	12.50	1033109
	AEPF426016B*		40,000	29,200	15.00	12.50	1277826
	AEPT060-00*-1*		40,000	29,200	15.00	12.50	890253
	ARPF374316A*		39,500	28,800	14.00	12.00	1033110
	ARPF486016A*		40,000	29,200	13.50	12.00	1328860
	ARUF374316A*		40,000	29,200	14.00	12.00	1032055
	ASPF426016A*		40,000	29,200	15.00	12.50	1282738
	CA*F060*2*	MBE2000**-1	40,000	29,200	15.00	12.50	1008542
	CA*F061*2*	G*V80905C**	39,500	28,800	14.00	12.00	890459
	CA*F061*2*	G*V81155C**	39,500	28,800	14.00	12.00	890289
	CA*F061*2*	G*V950704C**	39,500	28,800	14.00	12.00	1008564
	CA*F061*2*	G*V950905D**	40,000	29,200	15.00	12.50	890051
	CA*F061*2*	G*V951155D**	40,000	29,200	15.00	12.50	890244
	CA*F061*2*+EEP		40,000	29,200	14.00	12.00	890031
	CA*F061*2*	MBE2000**-1	40,000	29,200	15.00	12.50	890113
	CA*F3642*6A*	G*V91155D**	38,000	27,700	14.00	12.00	1277932
	CA*F3642*6A*	MBE2000**-1	40,000	29,200	14.00	12.00	890140
	CA*F3642*6B*	G*V91155D**	38,000	27,700	14.00	12.00	1347111
	CA*F3642*6B*	MBE2000**-1	40,000	29,200	14.00	12.00	1346597
	CA*F4860*6A*	G*V80905C**	39,500	28,800	14.00	12.00	890187
	CA*F4860*6A*	G*V81155C**	39,500	28,800	14.00	12.00	890130
	CA*F4860*6A*	G*V90905D**	40,000	29,200	14.50	12.00	1277933
	CA*F4860*6A*	G*V950704C**	39,500	28,800	14.00	12.00	890255
	CA*F4860*6A*	G*V950905D**	40,000	29,200	15.00	12.50	890096
	CA*F4860*6A*	G*V951155D**	40,000	29,200	15.00	12.50	1008566
	CA*F4860*6A*+EEP		40,000	29,200	14.00	12.00	1037621
	CA*F4860*6A*	MBE2000**-1	40,000	29,200	15.00	12.50	890312
	CA*F4860*6A*+TXV	G*E80905C**	39,500	28,800	15.00	12.20	1273385
	CA*F4860*6B*	G*V80905C**	39,500	28,800	14.00	12.00	1346600
	CA*F4860*6B*	G*V81155C**	39,500	28,800	14.00	12.00	1346601
	CA*F4860*6B*	G*V90905D**	40,000	29,200	14.50	12.00	1346602
	CA*F4860*6B*	G*V950704C**	39,500	28,800	14.00	12.00	1346603
	CA*F4860*6B*	G*V950905D**	40,000	29,200	15.00	12.50	1346604
	CA*F4860*6B*	G*V951155D**	40,000	29,200	15.00	12.50	1346605
	CA*F4860*6B*+EEP		40,000	29,200	14.00	12.00	1347112
	CA*F4860*6B*	MBE2000**-1	40,000	29,200	15.00	12.50	1346606
	CA*F4860*6B*+TXV	G*E80905C**	39,500	28,800	15.00	12.20	1347113
	CHPF048D2*+EEP		40,000	29,200	14.00	12.00	890166
	CHPF048D2*	MBE2000**-1	40,000	29,200	15.00	12.50	890366
	CHPF060D2*	G*V81155C**	39,500	28,800	14.50	12.00	890065
	CHPF060D2*	G*V950905D**	40,000	29,200	15.00	12.50	1031768
	CHPF060D2*	G*V951155D**	40,000	29,200	15.00	12.50	890155
	CHPF3642D6A*+EEP		40,000	29,200	14.00	12.00	890364
	CHPF3642D6B*+EEP		40,000	29,200	14.00	12.00	1330654
	CHPF4860*6A*	G*V81155C**	39,500	28,800	14.50	12.00	890145
	CHPF4860*6A*	G*V951155D**	40,000	29,200	15.00	12.50	890206
	CHPF4860*6A*+TXV	G*E80905C**	39,500	28,800	15.00	12.20	1273386
	CHPF4860D6A*	G*V950905D**	40,000	29,200	15.00	12.50	1031769

PERFORMANCE RATINGS (CONT.)

Outdoor Unit	Indoor Units		Cooling Capacities				ARI #
	Indoor Coil	Furnace/ Blower	Total	Sensible	SEER ¹	EER ²	
GSC14 0421A* (cont.)	CHPF4860D6A*+EEP		40,000	29,200	14.00	12.00	1126491
	CHPF4860D6A*	MBE2000**-1	40,000	29,200	15.00	12.50	890386
	CHPF4860D6C*	G*V81155C**	39,500	28,800	14.50	12.00	1330508
	CHPF4860D6C*	G*V950905D**	40,000	29,200	15.00	12.50	1330510
	CHPF4860D6C*	G*V951155D**	40,000	29,200	15.00	12.50	1330509
	CHPF4860D6C*+EEP		40,000	29,200	14.00	12.00	1330511
	CHPF4860D6C*	MBE2000**-1	40,000	29,200	15.00	12.50	1347563
	CHPF4860D6C*+TXV	G*E80905C**	39,500	28,800	15.00	12.20	1347556
	CSCF3642N6A*+EEP		40,000	29,200	14.00	12.00	890175
	CSCF3642N6C*+EEP		40,000	29,200	14.00	12.00	1296687
	CSCF4860N6A*	G*V80905C**	39,500	28,800	14.00	12.00	1032961
	CSCF4860N6A*	G*V81155C**	39,500	28,800	14.00	12.00	1032962
	CSCF4860N6A*	G*V950704C**	39,500	28,800	14.00	12.00	1032963
	CSCF4860N6A*	G*V950905D**	40,000	29,200	15.00	12.50	890343
	CSCF4860N6A*	G*V951155D**	40,000	29,200	15.00	12.50	890108
	CSCF4860N6A*+TXV	G*E80905C**	39,500	28,800	15.00	12.20	1273387
	CSCF4860N6C*	G*V80905C**	39,500	28,800	14.00	12.00	1296796
	CSCF4860N6C*	G*V81155C**	39,500	28,800	14.00	12.00	1296797
	CSCF4860N6C*	G*V950704C**	39,500	28,800	14.00	12.00	1296798
	CSCF4860N6C*	G*V950905D**	40,000	29,200	15.00	12.50	1296799
	CSCF4860N6C*	G*V951155D**	40,000	29,200	15.00	12.50	1296800
	CSCF4860N6C*+TXV	G*E80905C**	39,500	28,800	15.00	12.20	1296801
	H61F	G*V80905C**	39,500	28,800	14.00	12.00	1032964
	H61F	G*V81155C**	39,500	28,800	14.00	12.00	893743
	H61F	G*V950704C**	39,500	28,800	14.00	12.00	893771
	H61F	G*V950905D**	40,000	29,200	15.00	12.50	890229
	H61F	G*V951155D**	40,000	29,200	15.00	12.50	1033111
	H61F+EEP		40,000	29,200	14.00	12.00	890086
GSC14 0481A*	ADPF486016A*		45,500	34,100	13.50	11.50	1032965
	AEPF426016A*		46,000	34,500	15.00	12.50	1032966
	AEPF426016B*		46,000	34,500	15.00	12.50	1277827
	AEPT060-00*-1*		46,000	34,500	15.00	12.50	890438
	ARPF374316A*		46,000	34,500	14.00	12.00	1046123
	ARUF374316A*		46,000	34,500	14.00	12.00	1032057
	ASPF426016A*		47,000	35,300	15.00	12.50	1282739
	CA*F061*2*	G*V90905D**	45,500	34,100	14.00	12.00	890369
	CA*F061*2*	G*V950905D**	45,500	34,100	14.00	12.00	890279
	CA*F061*2*	G*V951155D**	45,500	34,100	14.00	12.00	890288
	CA*F061*2*+EEP		46,000	34,500	14.00	12.00	890085
	CA*F061*2*	MBE2000**-1	46,000	34,500	15.00	12.50	890184
	CA*F4860*6A*	G*V80905C**	45,500	34,100	14.00	12.00	1008547
	CA*F4860*6A*	G*V950905D**	45,500	34,100	14.00	12.00	890214
	CA*F4860*6A*	G*V951155D**	45,500	34,100	14.00	12.00	890034
	CA*F4860*6A*+EEP		46,000	34,500	14.00	12.00	890382
	CA*F4860*6A*	MBE2000**-1	46,000	34,500	15.00	12.50	890088
	CA*F4860*6B*	G*V80905C**	45,500	34,100	14.00	12.00	1346607
	CA*F4860*6B*	G*V950905D**	45,500	34,100	14.00	12.00	1346608

¹ Seasonal Energy Efficiency Ratio; Certified per ARI 210/240 @ 80°F/ 67°F/ 95°F

² Energy Efficiency Ratio @ 80 °F/67 °F Inside - 95 °F

See **Notes** on either pages 7 or 15.

PRODUCT SPECIFICATIONS

PERFORMANCE RATINGS (CONT.)

Outdoor Unit	Indoor Units		Cooling Capacities				ARI #
	Indoor Coil	Furnace/ Blower	Total	Sensible	SEER ¹	EER ²	
GSC14 0481A* (cont.)	CA*F4860*6B*	G*V951155D**	45,500	34,100	14.00	12.00	1346609
	CA*F4860*6B*+EEP		46,000	34,500	14.00	12.00	1347114
	CA*F4860*6B*	MBE2000**-1	46,000	34,500	15.00	12.50	1346610
	CHPF060D2*	G*V90905D**	45,500	34,100	14.00	12.00	890385
	CHPF060D2*	G*V950905D**	45,500	34,100	14.00	12.00	890174
	CHPF060D2*	G*V951155D**	45,500	34,100	14.00	12.00	890234
	CHPF060D2*+EEP		46,000	34,500	14.00	12.00	890348
	CHPF060D2*	MBE2000**-1	46,000	34,500	15.00	12.50	890062
	CHPF4860D6A*	G*V90905D**	45,500	34,100	14.00	12.00	890268
	CHPF4860D6A*	G*V950905D**	45,500	34,100	14.00	12.00	890203
	CHPF4860D6A*	G*V951155D**	45,500	34,100	14.00	12.00	890228
	CHPF4860D6A*+EEP		46,000	34,500	14.00	12.00	890218
	CHPF4860D6A*	MBE2000**-1	46,000	34,500	15.00	12.50	890024
	CHPF4860D6C*	G*V90905D**	45,500	34,100	14.00	12.00	1330512
	CHPF4860D6C*	G*V950905D**	45,500	34,100	14.00	12.00	1330513
	CHPF4860D6C*	G*V951155D**	45,500	34,100	14.00	12.00	1330514
	CHPF4860D6C*+EEP		46,000	34,500	14.00	12.00	1330620
	CHPF4860D6C*	MBE2000**-1	46,000	34,500	15.00	12.50	1347564
	CSCF4860N6A*	G*V950905D**	45,500	34,100	14.00	12.00	890111
	CSCF4860N6A*	G*V951155D**	45,500	34,100	14.00	12.00	890332
	CSCF4860N6A*+EEP		46,000	34,500	14.00	12.00	890162
	CSCF4860N6C*	G*V950905D**	45,500	34,100	14.00	12.00	1296802
	CSCF4860N6C*	G*V951155D**	45,500	34,100	14.00	12.00	1296803
	CSCF4860N6C*+EEP		46,000	34,500	14.00	12.00	1296804
	H61F	G*V950905D**	45,500	34,100	14.00	12.00	890321
	H61F	G*V951155D**	45,500	34,100	14.00	12.00	890222
	H61F+EEP		46,000	34,500	14.00	12.00	890077
	GSC14 0601A*	AEPF426016A*		56,000	40,900	14.35	12.00
AEPF426016B*			56,000	40,900	14.35	12.00	1277828
AEPT060-00*-1*			56,000	40,900	14.35	12.00	893760
ARPF486016A*			56,000	40,900	13.50	11.50	1032968
ARPT061-00*-1*			56,000	40,900	13.50	11.50	890421
ARUF061-00*-1*			56,000	40,900	13.50	11.50	890303
ARUF486016A*			56,000	40,900	13.50	11.50	1032969
ASPF426016A*			56,000	40,900	14.50	12.00	1282740
CA*F061*2*		G*V90905D**	56,000	40,900	13.50	11.50	890060
CA*F061*2*		G*V951155D**	56,000	40,900	13.50	11.50	890245
CA*F061*2*+EEP			56,000	40,900	14.00	12.00	890205
CA*F061*2*		MBE2000**-1	56,000	40,900	15.00	12.50	1032970
CA*F061*2*		MBR2000**-1	56,000	40,900	14.00	12.00	1033112
CA*F4860*6A*		G*V80905C**	56,000	40,900	14.00	12.00	1277936
CA*F4860*6A*		G*V90905D**	56,000	40,900	13.50	11.50	890137
CA*F4860*6A*		G*V951155D**	56,000	40,900	13.50	11.50	890424
CA*F4860*6A*+EEP			56,000	40,900	14.00	12.00	890333
CA*F4860*6A*		MBE2000**-1	56,000	40,900	15.00	12.50	890266

PERFORMANCE RATINGS (CONT.)

Outdoor Unit	Indoor Units		Cooling Capacities				ARI #
	Indoor Coil	Furnace/ Blower	Total	Sensible	SEER ¹	EER ²	
GSC14 0601A* (cont.)	CA*F4860*6A*	MBR2000**-1	56,000	40,900	14.00	12.00	890127
	CA*F4860*6B*	G*V80905C**	56,000	40,900	14.00	12.00	1346611
	CA*F4860*6B*	G*V90905D**	56,000	40,900	13.50	11.50	1346612
	CA*F4860*6B*	G*V951155D**	56,000	40,900	13.50	11.50	1346613
	CA*F4860*6B*+EEP		56,000	40,900	14.00	12.00	1347115
	CA*F4860*6B*	MBE2000**-1	56,000	40,900	15.00	12.50	1346614
	CA*F4860*6B*	MBR2000**-1	56,000	40,900	14.00	12.00	1346615
	CHPF060D2*	G*V950905D**	56,000	40,900	13.50	11.50	890455
	CHPF060D2*	G*V951155D**	56,000	40,900	13.50	11.50	890319
	CHPF060D2*+EEP		56,000	40,900	14.00	12.00	890178
	CHPF060D2*	MBR2000**-1	56,000	40,900	14.00	12.00	890252
	CHPF4860D6A*	G*V950905D**	56,000	40,900	13.50	11.50	890052
	CHPF4860D6A*	G*V951155D**	56,000	40,900	13.50	11.50	890202
	CHPF4860D6A*+EEP		56,000	40,900	14.00	12.00	890340
	CHPF4860D6A*	MBE2000**-1	55,000	40,200	14.50	12.00	1293914
	CHPF4860D6A*	MBR2000**-1	56,000	40,900	14.00	12.00	890107
	CHPF4860D6C*	G*V950905D**	56,000	40,900	13.50	11.50	1330515
	CHPF4860D6C*	G*V951155D**	56,000	40,900	13.50	11.50	1330516
	CHPF4860D6C*+EEP		56,000	40,900	14.00	12.00	1330621
	CHPF4860D6C*	MBE2000**-1	55,000	40,200	14.50	12.00	1347565
	CHPF4860D6C*	MBR2000**-1A*	56,000	40,900	14.00	12.00	1330517
	CSCF4860N6A*	G*V950905D**	56,000	40,900	13.50	11.50	890297
	CSCF4860N6A*	G*V951155D**	56,000	40,900	13.50	11.50	890123
	CSCF4860N6A*+EEP		56,000	40,900	14.00	12.00	890458
	CSCF4860N6A*	MBE2000**-1	56,000	40,900	15.00	12.00	890325
	CSCF4860N6A*	MBR2000**-1	56,000	40,900	14.00	12.00	890315
	CSCF4860N6C*	G*V950905D**	56,000	40,900	13.50	11.50	1296805
	CSCF4860N6C*	G*V951155D**	56,000	40,900	13.50	11.50	1296806
	CSCF4860N6C*+EEP		56,000	40,900	14.00	12.00	1296807
	CSCF4860N6C*	MBE2000**-1	56,000	40,900	15.00	12.00	1296688
	CSCF4860N6C*	MBR2000**-1	56,000	40,900	14.00	12.00	1296689
	H61F	G*V950905D**	56,000	40,900	13.50	11.50	890087
	H61F	G*V951155D**	56,000	40,900	13.50	11.50	890122
H61F+EEP		56,000	40,900	14.00	12.00	890246	
H61F	MBR2000**-1	56,000	40,900	14.00	12.00	890439	

¹ Seasonal Energy Efficiency Ratio; Certified per ARI 210/240 @ 80°F/ 67°F/ 95°F

² Energy Efficiency Ratio @ 80 °F/67 °F Inside - 95 °F

Notes:

- Always check the S&R plate for electrical data on the unit being installed.
- When matching the outdoor unit to the indoor unit, use the piston supplied with the outdoor unit or what is specified on the piston kit chart supplied with the indoor unit.
- EEP - Order from Service Dept. Part No. B13707-38 or new Solid State Board B13707-35S. Part No. B13707-38 is not interchangeable with B13707-35S. The Goodman Gas Furnace contains the EEP cooling time delay.

PRODUCT SPECIFICATIONS

ACCESSORIES

Model	Description	GSC14 018*	GSC14 024*	GSC14 030*	GSC14 036*	GSC14 042*	GSC14 048*	GSC14 060*
ABK-20	Anchor Bracket Kit ▼	X	X	X	X	X	X	X
ASC-01	Anti-Short Cycle Kit	X	X	X	X	X	X	X
CSR-U-1	Hard-start Kit	X	X	X	X			
CSR-U-2	Hard-start Kit				X	X	X	X
CSR-U-3	Hard-start Kit						X	X
FSK01A ¹	Freeze Protection Kit	X	X	X	X	X	X	X
LSK01A	Liquid Line Solenoid Kit	X	X	X	X	X	X	X
OT18-60A	Outdoor Thermostat	X	X	X	X	X	X	X
TX2N2 ²	TXV Kit	X						
TX3N2 ²	TXV Kit		X	X	X			
TX5N2 ²	TXV Kit					X	X	X

▼ Contains 20 brackets; four brackets needed to anchor unit to pad

¹ Installed on indoor coil

² Field-installed, non-bleed, expansion valve kit — Condensing units and heat pumps with reciprocating compressors require the use of start-assist components when used in conjunction with an indoor coil using a non-bleed thermal expansion valve refrigerant metering device or liquid line solenoid kit.



Goodman Manufacturing Company, L.P., reserves the right to discontinue, or change at any time, specifications or designs without notice or without incurring obligations.

*Copyright © 2007 • Goodman Manufacturing Company, L.P. • Houston, Texas
Printed in the USA.*