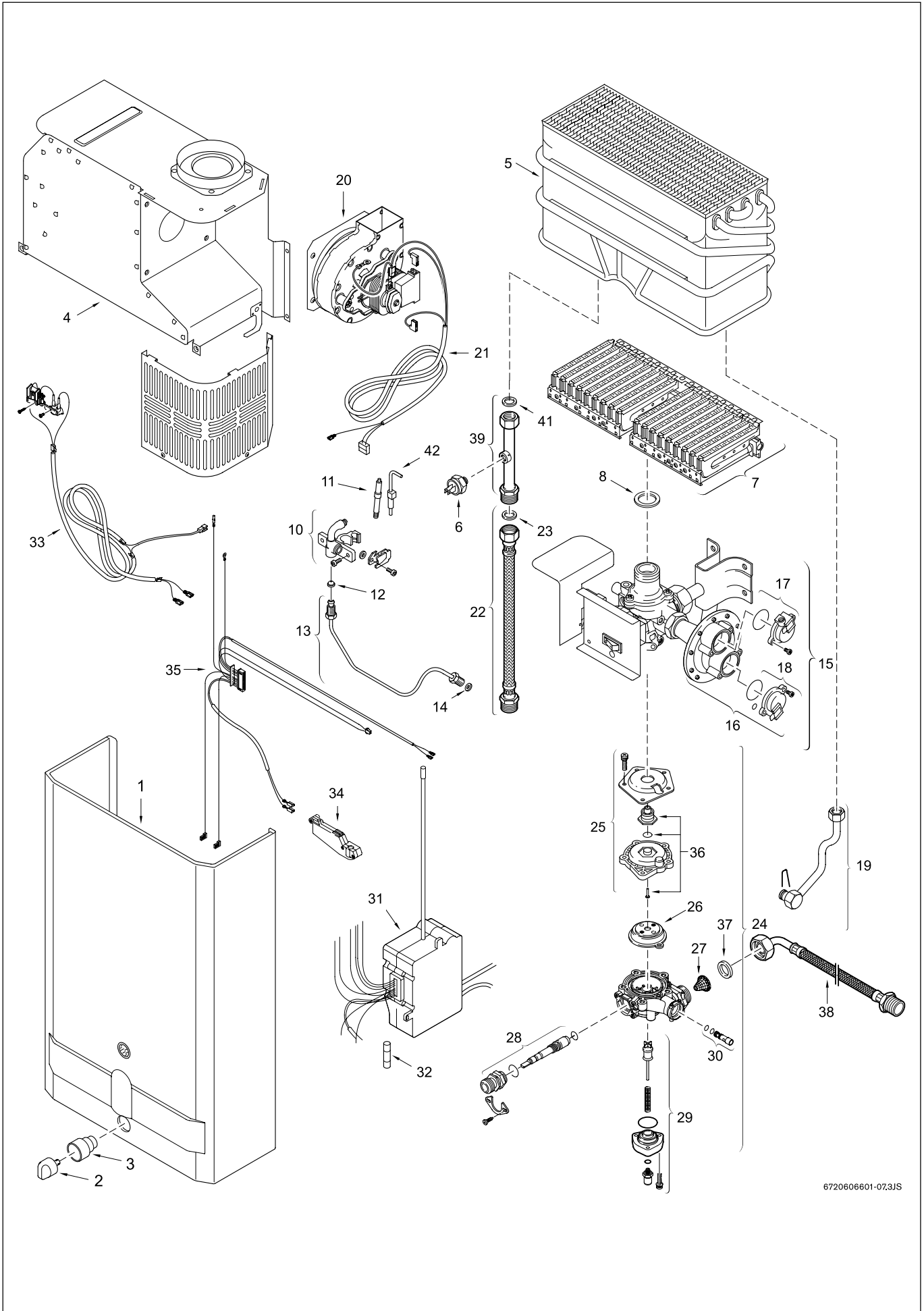


Fig. 16 - INTERIOR COMPONENTS DIAGRAM AND PARTS LIST



6720606601-07,3JS

Fig. 16
INTERIOR COMPONENTS DIAGRAM
AND PARTS LIST 425 EF

1	Cover	8 705 421 775	
2	Temperature adjustment knob	8 702 000 111	
3	Temperature adjustment collar	8 700 403 008	
4	Draft diverter	8 705 505 451	
5	Heat exchanger	8 705 406 235	
6	Overheat sensor (ECO)	8 707 206 040	
7	Main burner	8 708 120 298	NG
7	Main burner	8 708 120 296	LPG
8	Burner assembly washer	8 710 103 060	
10	Pilot burner	8 718 105 051	NG
10	Pilot burner	8 708 105 491	LPG
11	Piezo electrode	8 708 107 006	
12	Pilot injector	8 708 200 069	NG
12	Pilot injector	8 708 200 312	LPG
13	Pilot tube	8 700 707 349	
14	Washer pilot tube	8 700 103 173	
15	Gas valve	8 707 011 949	NG
15	Gas valve	8 707 011 950	LPG
16	Diaphragm switch	8 708 504 021	NG
16	Diaphragm switch	8 708 504 049	LPG
17	Pilot electrovalve	8 708 501 249	
18	Burner electrovalve	8 708 501 250	
19	Cold water pipe	8 700 705 627	
20	Exhaust fan assembly	8 707 204 023	
21	Exhaust fan cable	8 704 401 168	
22	Outlet flex hose	8 700 703 139	
23	Washer	8 700 103 658	
24	Water valve	8 707 006 361	
25	Water valve cover	8 705 500 101	
26	Diaphragm	8 700 503 092	
27	Water inlet filter	8 700 507 001	
28	Water valve selector screw	8 708 500 289	
29	Volumetric water governor	8 705 705 021	
30	Venturi	8 708 205 279	
31	Electric control box	8 707 207 106	
32	Fuse T2,5A	1 904 521 342	
33	Flue Gas Sensor	8 707 206 305	
34	Microswitch	8 707 200 007	
35	Set of cables	8 704 401 170	
36	Pushrod	8 700 306 114	
37	Washer connection gasket	8 710 103 043	
38	Water elbow fitting	8 700 703 114	
39	Connecting pipe hot	8 700 715 178	
40	Water valve set screw	8 703 401 051	
41	Washer	8 710 103 045	
42	Flame sensor	8 708 107 007	